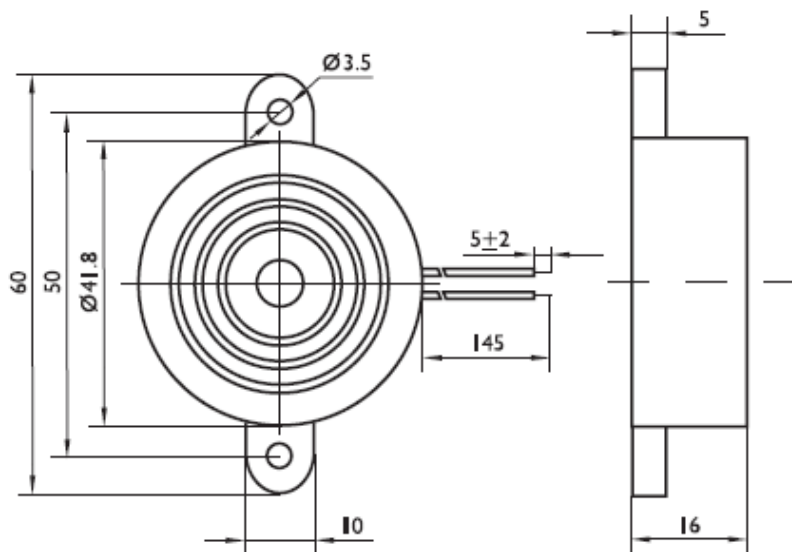


# Datasheet Piezo Buzzer

RS Stock number [780-0715](#)

## Dimensions(mm):



## Specifications

Rated voltage	12Vp-p
Operating voltage	1-30Vp-p
Rated current	3mA
Sound output at 30cm at 2.8Khz	≥90dB
Resonant frequency	2800Hz±500
Capacitance at 120Hz	35000pF±30%
Operating temperature	-20~+60°C
Storage temperature	-30~+70°C
Lead wire	UL1007 AWG28
Weight	10g

\*Value applying at rated voltage (DC)

## Features:

- ROHS Compliant
- High sound output
- Housing material: ABS

All data at 25°C unless otherwise specified