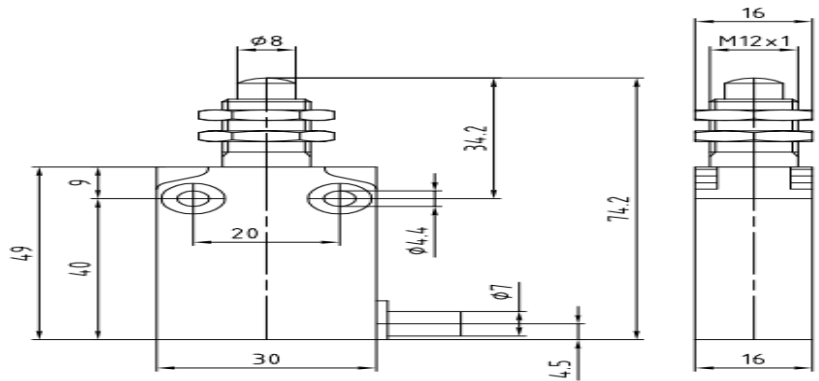
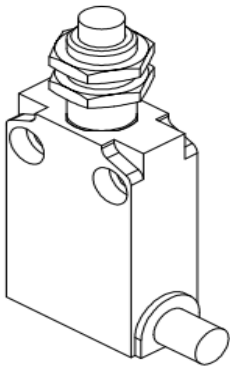


# Datasheet Limit Switch

RS Stock number 902-6941



## Description:

Pre-wired, Double insulation, Plastic Casing IP67, 30mm width  
 PVC Cable 4x0.75mm<sup>2</sup>, 1mt length  
 Plain plunger with fixing nuts  
 Z : Snap action contacts (1NO+1NC)

## Specification:

Standards			Plastic Casing
Certifications - Approvals			Devices conform with international IEC 947-5-1 and European EN 60 947-5-1 standards
Air temperature near the device			UL (upon request) - IMQ
- during operation	°C		- 25 ... + 70
- for storage	°C		- 40 ... + 70
Mounting positions			All positions are authorized
Protection against electrical shocks (according to IEC 536)			Class II
Degree of protection (according to IEC 529 and EN 60 529)			IP 67
Degree of protection (according to UL50)			Type 1 enclosure ("indoor use only")
Rated insulation voltage U <sub>i</sub>			400 V (degree of pollution 3) (250 V for M12 connector)
- according to IEC 947-1 and EN 60-947-1			B 300, R 300
- according to UL 508 and CSA C22-2 n° 14			
Conventional free air thermal current I <sub>th</sub>	A		10 (4A for M12 connector)
(according to IEC 947-5-1 and EN 60 947-5-1) θ < 40 °C			
Short-circuit protection	A		10 (4A for M12 connector)
U <sub>e</sub> < 500 V a.c. - gG (gI) type fuses			
Rated operational current			
I <sub>e</sub> / AC-15 (according to IEC 947-5-1)	24 V - 50/60 Hz	A	10 (4A for M12 connector)
	240 V - 50/60 Hz	A	3
I <sub>e</sub> / DC-13 (according to IEC 947-5-1)	24 V - d.c.	A	2.8
	125 V - d.c.	A	0.22
	250 V - d.c.	A	0.27
Switching frequency	Cycles/h		3600
Load factor			0.5
Resistance between contacts	mΩ		< 25
Mechanical durability			10 Millions of operations

For the complete list of approved products contact our technical department.

IMQ listed values