



1

2

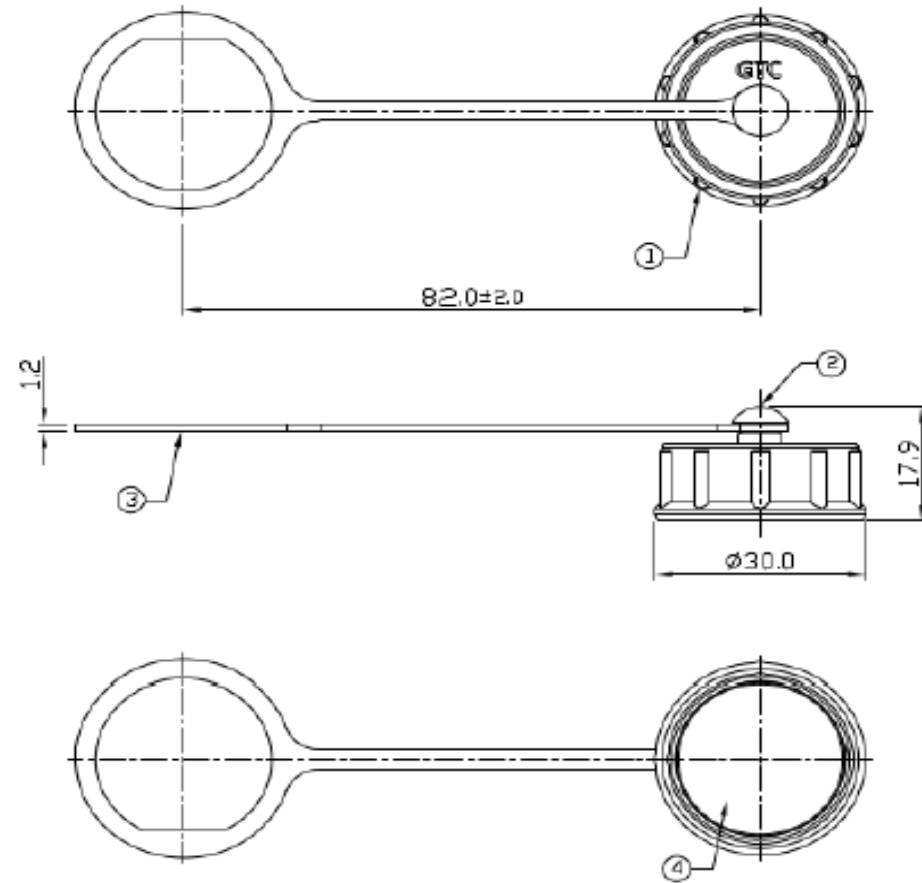
3

4

Notes: (Unless Otherwise Specified)

1. Waterproof Rate : IP67.
2. RoHS Compliance.

REV	ECN#	DESCRIPTION OF REVISION	DRAW BY DATE	CHECK BY DATE	APPROVE BY DATE
A0		Mass Production	Joyce 09/28/11	Lucas 09/28/11	Roy 09/28/11



4	Rubber Pad	Silicone Color: Black	1
3	Plastic Chain	Thermal Plastic Color: Black	1
2	Plastic Rivet	Thermal Plastic Color: Black	1
1	Screw Cap	Thermal Plastic Color: Black	1
Item	Part Name	Material / Finish	Qty

TITLE: Cap Plastic For C4 Screw Panel With Plastic Chain

RS Stock No:  
125-7930

	B	1:1	Joyce 09/28/11	Lucas 09/28/11	Roy 09/28/11	XX ± 0.5 XXX ± 0.2	XXXX ± 0.05 ANGLES ± 1°	mm	1/1
THIRD ANGLE PROJECTION	SIZE	SCALE	DRAW / DATE	CHECK / DATE	APPROVE / DATE	TOLERANCES		UNIT	SHEET

1

2

3

4