

Desk Top External Power Supply 60W

multicomp PRO

**RoHS
Compliant**



Features

- C14 Input
- DOE Level VI Efficiency
- Over Current Protection
- Short Circuit Protection
- Warranty 12 months
- EN62368 Approved
- DC Cable Length: 1500mm

Specification Table

Characteristic		MP007793	MP008784	MP008783	MP008785
Output	DC Voltage	12V DC	15V DC	19V DC	24V DC
	Rated Current	5 Amp	4 Amp	3.42 Amp	2.5 Amp
	Current Range	0 Amp to 5 Amp	0 Amp to 4 Amp	0 Amp to 3.42 Amp	0 Amp to 2.5 Amp
	Rated Power	60 Watt			
	Ripple & Noise	240mVp-p (Max.)			
	Output Regulation	±5%			
	Output Connector	2.5mm×5.5mm×12mm C+ve			
Input	Voltage Range	90V AC to 264V AC			
	Frequency Range	47Hz to 63Hz			
	Input Current	1.5 Amp (Max.)			
	Inrush Current	80 Amp (Max.)			
	Standby Power	0.21 Amp (Max.)			
	Leakage Current	0.25 Amp (Max.)			
	Input Connector	C14			
Environment	Operating Temperature	0°C to +40°C			
	Cooling	Convection			
	Temperature Coefficient	0.05%/°C			
	Humidity	5%RH to 95%RH (non-condensing)			
	Storage Temperature	-20°C to +80°C			
Safety and EMC	Safety Standards	UL/CuL 62368-1, GS/TUV EN62368-1 All Options Plus SAA AN/NZ 62368.1 C8 Version Only			
	EMC Emissions	EN55032, EN55035, FCC Part 15 Class B			

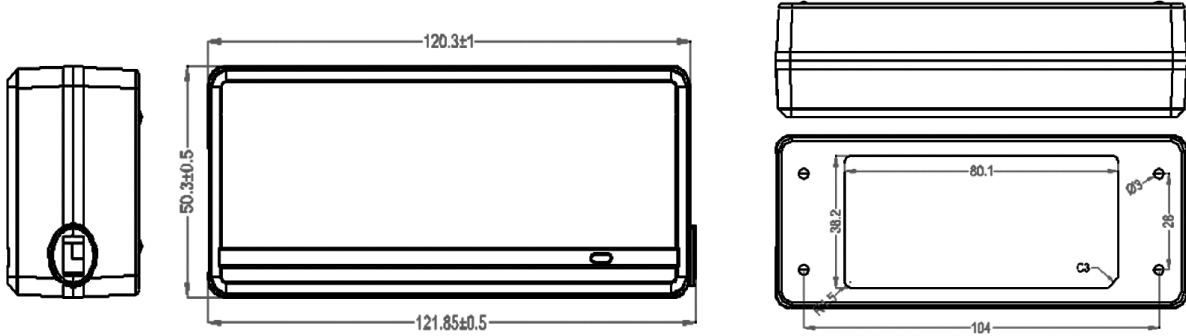
Newark.com/multicomp-pro
Farnell.com/multicomp-pro
sg.element14.com/b/multicomp-pro

multicomp PRO

Desk Top External Power Supply 60W



Diagram



Part Number Table

Description	Part Number
Desk Top External Power Supply, 60W, 12V, 5A	MP007793
Desk Top External Power Supply, 60W, 19V, 5A	MP008783
Desk Top External Power Supply, 60W, 15V, 5A	MP008784
Desk Top External Power Supply, 60W, 24V, 5A	MP008785

Dimensions : Millimetres

Important Notice : This data sheet and its contents (the "Information") belong to the members of the AVNET group of companies (the "Group") or are licensed to it. No licence is granted for the use of it other than for information purposes in connection with the products to which it relates. No licence of any intellectual property rights is granted. The Information is subject to change without notice and replaces all data sheets previously supplied. The Information supplied is believed to be accurate but the Group assumes no responsibility for its accuracy or completeness, any error in or omission from it or for any use made of it. Users of this data sheet should check for themselves the Information and the suitability of the products for their purpose and not make any assumptions based on information included or omitted. Liability for loss or damage resulting from any reliance on the Information or use of it (including liability resulting from negligence or where the Group was aware of the possibility of such loss or damage arising) is excluded. This will not operate to limit or restrict the Group's liability for death or personal injury resulting from its negligence. Multicomp Pro is the registered trademark of Premier Farnell Limited 2019.

Newark.com/multicomp-pro
Farnell.com/multicomp-pro
sg.element14.com/b/multicomp-pro

