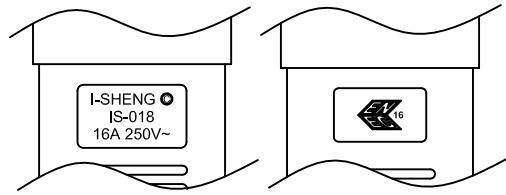
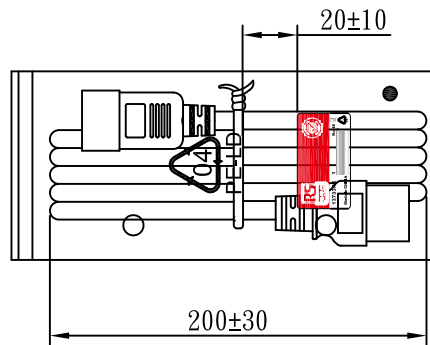
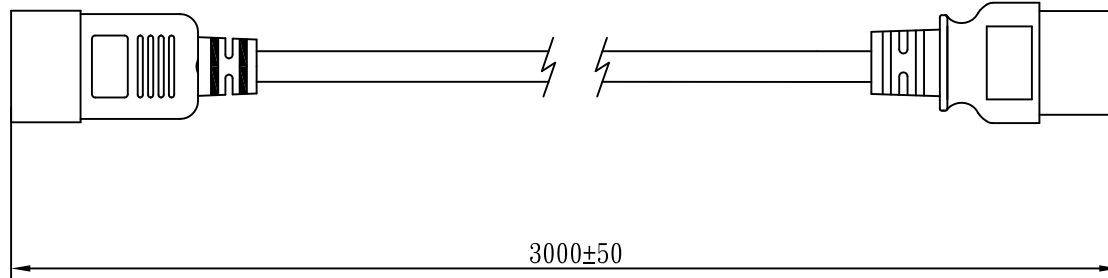
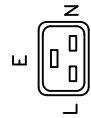
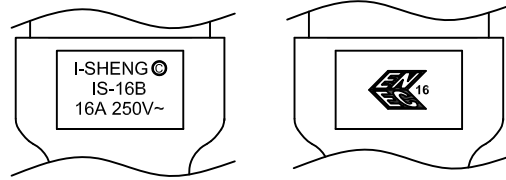


MARKING:



MARKING:



WIRING COLOR:

- E: Yellow/Green
- N: Blue
- L: Brown

LENGED ON CORD: (E06-14)

I-SHENG 3000 <VDE> KEMA-KEUR 3000 <VDE> △ CEPEC 809 S D N H
NF-USE 1346 IEMMEQU H05VV-F 3G 1.5mm² 300/500V -LF- CE

No	BOM ITEM	Q' TY	P/N
1	97606-1 TERMINAL	2 pcs	BBN97606
2	97607-1 TERMINAL	1 pcs	BBN97607
3	IS-018 INNER BODY(BLACK)	1 pcs	MP020S12
4	PVC 45P (SA87, IS-018)	30 g	RPP04512
5	98739PS-0 BLADE	3 pcs	BBP98739
6	IS-16 INNER BODY(BLACK)	1 set	MI016S12
7	PVC 45P (SA87, IS-16B)	30 g	RPP04512
8	PE TIE (BLACK, 8 inch)	1 pcs	KBB10008
9	PE BAG(140*290)	1 pcs	KPR14000
10	LABEL(45*25)	1 pcs	

NOTE:1. CORD 128
2. CONTENT 1373360



CABLE	H05VV-F 3G 1.5 DENT PRINT CT-12(BLACK)				
PLUG	IS-018 + IS-16B	LENGTH	3000	UNIT	mm
CLIENT	NAME	First connectivity	N/W	UNIT	kg
	P/N	1373360	SG DWG	SR-172524-10	VER. A

Design. by	
Review. by	
Approval. by	

X8B JE3016 12 300 01