

Datasheet

RS PRO 250 TYPE NON-INSULATED FEMALE DISCONNECTORS (LOOSE TYPE)

Stock number: 2055304

MAXIMUM ELECTRIC CURRENT:

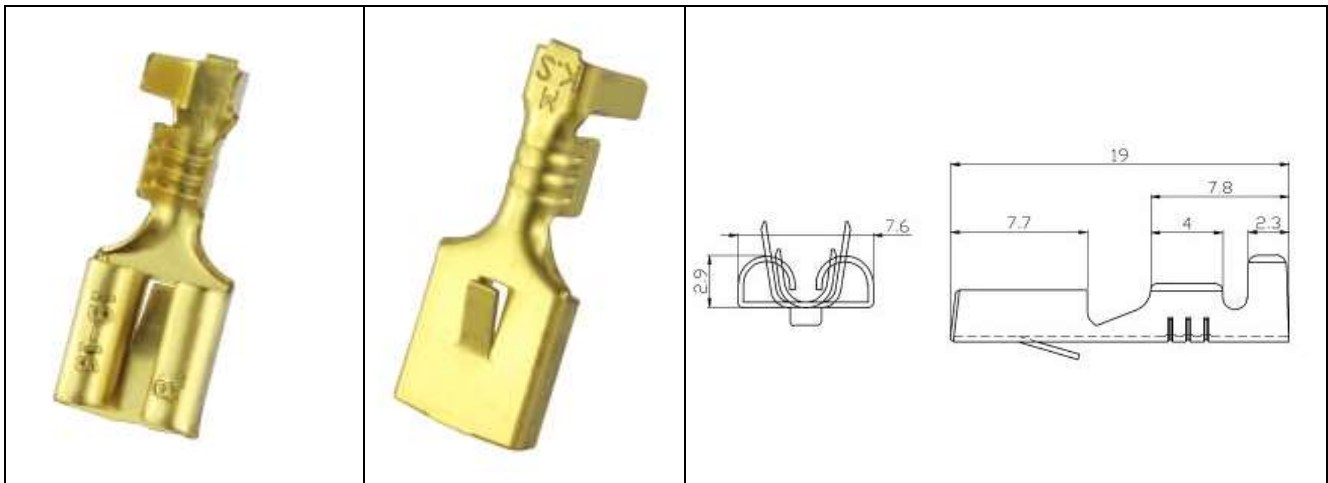
A.W.G. 18 16

AMP. 17 18

TERMINAL MATERIAL: BRASS

TERMINAL SURFACE TREATMENT: NONE

THICKNESS: 0.3MM



| WIRE RANGE A.W.G. mm ² | NEMA TAB | DIMENSION (mm) | | | | | MATERIAL | PLATINGS |
|---|-----------------------------|----------------|-----|----|-----|-----|----------|----------|
| | | W | F | L | H | T | | |
| 18-16 A.W.G. 0.85-1.25 mm ² | .250 x .032 (6.35 x 0.8) | 7.6 | 7.7 | 19 | 2.9 | 0.3 | Brass | NONE |