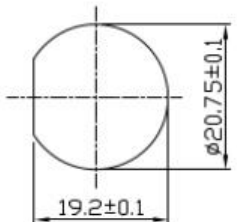
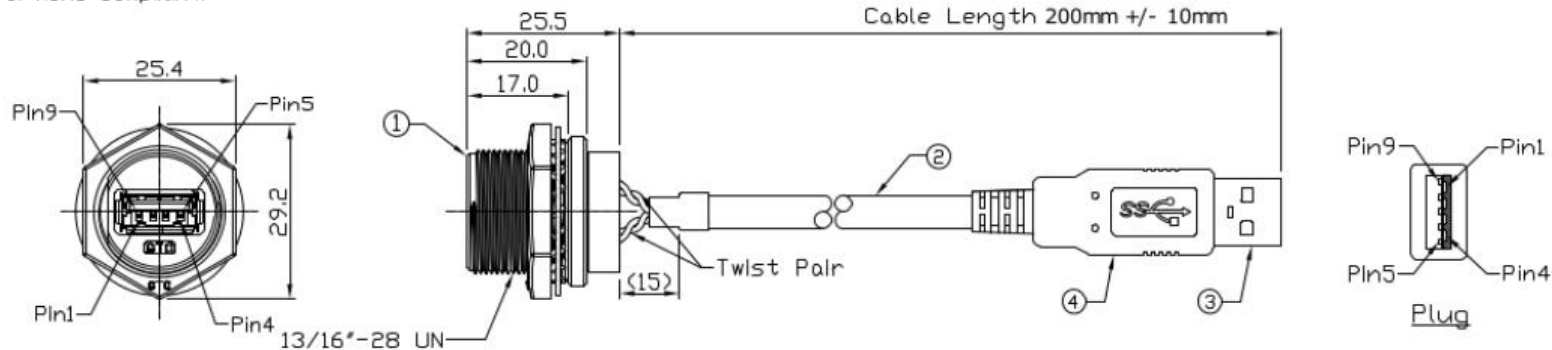




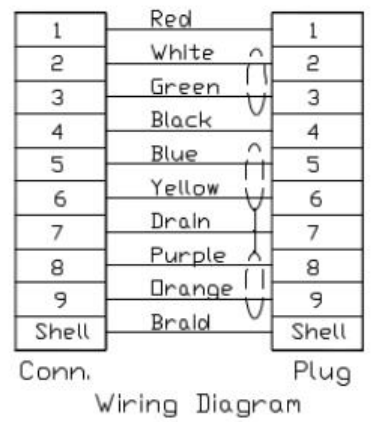
Notes: (Unless Otherwise Specified)

1. Waterproof Rate: IP68.
2. Recommend Panel Thickness: 0.8 to 6.0 mm.
3. Recommend Torque: 19~20 Kgf-cm.
4. Mating Cap P/N: 125-7929
5. RoHS Compliant.

REV	ECN#	DESCRIPTION OF REVISION	DRAW BY DATE	CHECK BY DATE	APPROVE BY DATE
01			Lucas 09/23/15	Lucas 09/23/15	Ray 09/23/15



Recommend Panel Cut-Out



Mating Part:
122-3033

Qty	Part Name	Material / Finish	Qty
4	Over Mold	PVC Color: Black	1
3	USB-A 3.0 Plug	Housing: Thermoplastic, Color: Blue Contacts: Copper Alloy, Finish: Au Plated Shell: SPC, Finish: Ni Plated	1
2	Cable	UL2725 (3P*28AWG+EAND*2+3PR*28AWG+A)+2CK22AWG+AB B5X Color: Black, OD=5.5mm	1
1	USB-A 3.0 C3 Panel Jack		1

TITLE						REV.		A		
USB-A 3.0 Metal C3 Panel Jack Screw With USB-A 3.0 Plug						01		RS Stock No 122-3034		
THIRD ANGLE PROJECTION		B	1:1	Lucas 09/23/15	Lucas 09/23/15	Ray 09/23/15	XX ± 0.5 XXX ± 0.2	XXX ± 0.05 ANGLES ± 1°	mm	1/1
		SIZE	SCALE	DRAW / DATE	CHECK / DATE	APPROVE / DATE	TOLERANCES		UNIT	SHEET