



ENGLISH

**Datasheet**  
**Coin Button Batteries**  
**Zinc Air Battery Cell PR48 (A13)**



[RS Stock No. 801-0727](#)

**Specification:**

Cell Chemistry: Zinc Air  
 Identification: JIS-PR48  
 Nominal Voltage: 1.4 Volts  
 Tab Colour: Orange  
 Typical Capacity: 30mAh (to 0.9 Volts) (at 1.5KΩ 20°C 60%RH)  
 Available Current: 8mA (at 1.1 Volts)  
 Capacity loss @ 20°C : <5% per year  
 Operation Temp.: 0°C to 50°C  
 Shelf Life: 2 years  
 Typical Weight: 0.8 grams  
 Typical Volume: 0.25 cubic centimetres  
 Impedance: ≤ 4Ω (at AC 1KHz)

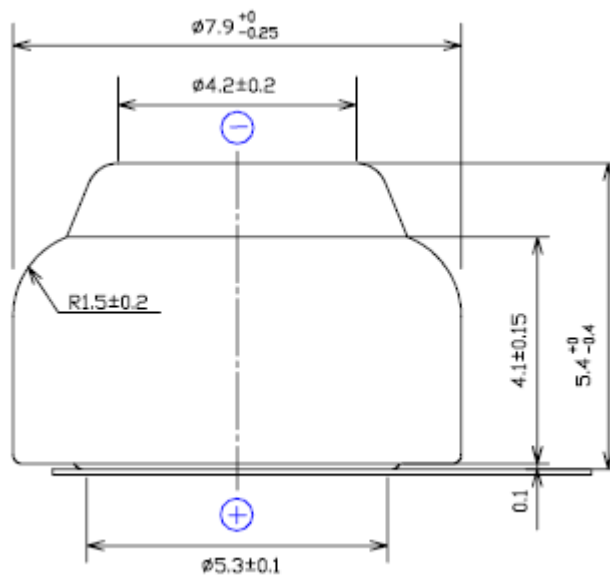
**Appearance:**



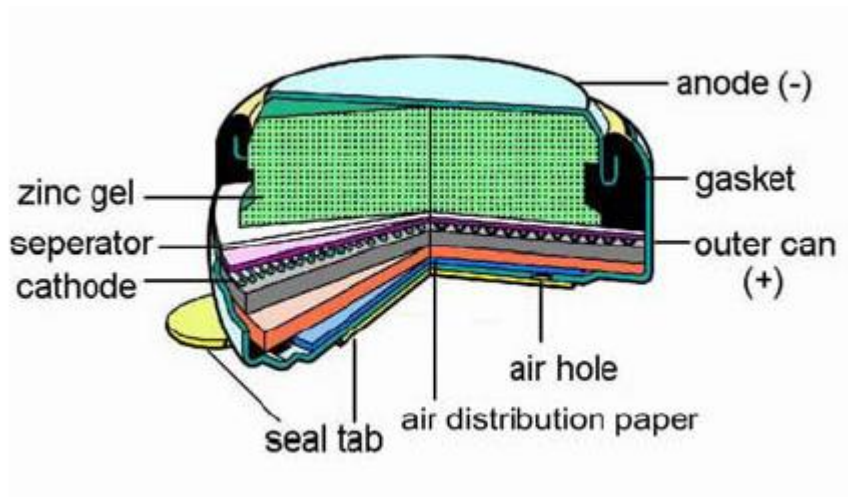
Top View

Bottom View

**Dimensions: Unit (mm)**



**Configuration:**



**Discharge Characteristic Graph:**

