

**MOUNTING FOOT  
100MM EXTENSION STEM  
CABLE GLAND MOUNTING FOOT  
WALL MOUNT BRACKET  
MOUNTING FOOT + 100MM  
EXTENSION STEM  
METAL TUBE EXTENDED BASE  
(200MM – 400MM)**



**P.N. 190-2916, 190-2917, 190-2918, 190-2919,  
190-2920, 190-2921, 190-2922**


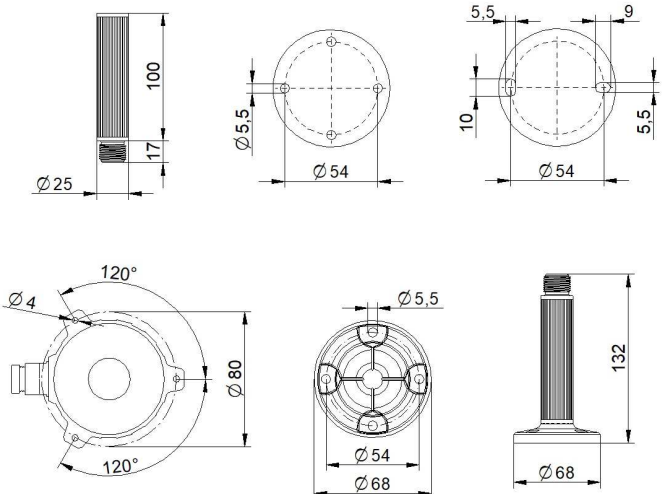
Accessori  
Accessories  
Accessoires  
Zubehör  
Accesorios

**Dati diffusi a solo scopo informativo. Sirena S.p.A. puo' modificare i dati in qualsiasi momento senza preavviso.**  
These data are disclosed only for information purposes. Sirena S.p.A. reserves the right to modify them at any time without prior notice.  
Les données ne sont divulguées qu'à titre d'information. Sirena S.p.A. se réserve la faculté de les modifier à tout moment sans préavis



**SCHEDA TECNICA**  
Technical data sheet  
Fiche technique

24/09/19

|                                                                                                                                                                      |                                                                                                                                                                      |
|----------------------------------------------------------------------------------------------------------------------------------------------------------------------|----------------------------------------------------------------------------------------------------------------------------------------------------------------------|
| <b>MATERIALE</b><br>MATERIAL<br>MATERIÉL<br>MATERIAL<br>MATERIAL                                                                                                     | PC (MOUNTING FOOT, 100MM EXTENSION STEM, CABLE GLAND MOUNTING FOOT, WALL MOUNT BRACKET, MOUNTING FOOT+100MM STEM)<br>PC - STAINLESS STEEL (METAL TUBE EXTENDED BASE) |
| <b>COLORI DISPONIBILI</b><br>AVAILABLE COLOURS<br>COULEURS DISPONIBLES<br>VERFÜGBARE FARBEN<br>COLORES DISPONIBLES                                                   |                                                                                     |
| <b>VIBRAZIONI</b><br>VIBRATIONS<br>VIBRATIONS<br>VIBRATIONEN<br>VIBRACIONES                                                                                          | INDUSTRIAL CEI 60068-2-6 SINE                                                                                                                                        |
| <b>CERTIFICAZIONI, OMOLOGAZIONI</b><br>CERTIFICATIONS, APPROVALS<br>CERTIFICATIONS, HOMOLOGATIONS<br>PRODUKTZERTIFIKATE, ZULASSUNGEN<br>CERTIFICADOS, HOMOLOGACIONES | CE                                                                                                                                                                   |
| <b>DISEGNO</b><br>TECHNICAL DRAWING<br>DESSIN<br>TECHNISCHE ZEICHNUNG<br>DIBUJO TECNICO                                                                              |                                                                                   |

**Dati diffusi a solo scopo informativo. Sirena S.p.A. puo' modificare i dati in qualsiasi momento senza preavviso.**  
These data are disclosed only for information purposes. Sirena S.p.A. reserves the right to modify them at any time without prior notice.  
Les données ne sont divulguées qu'à titre d'information. Sirena S.p.A. se réserve la faculté de les modifier à tout moment sans préavis