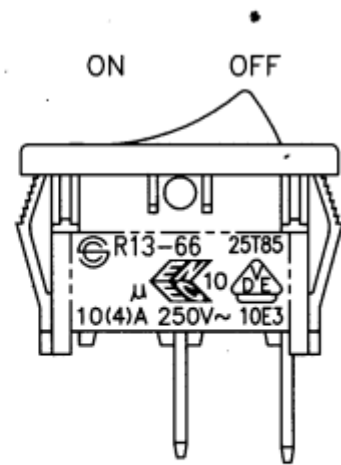
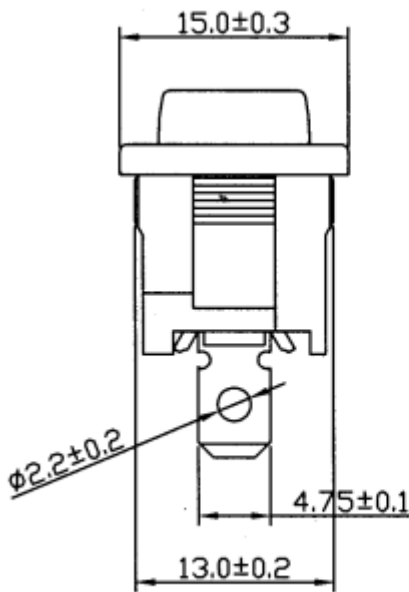
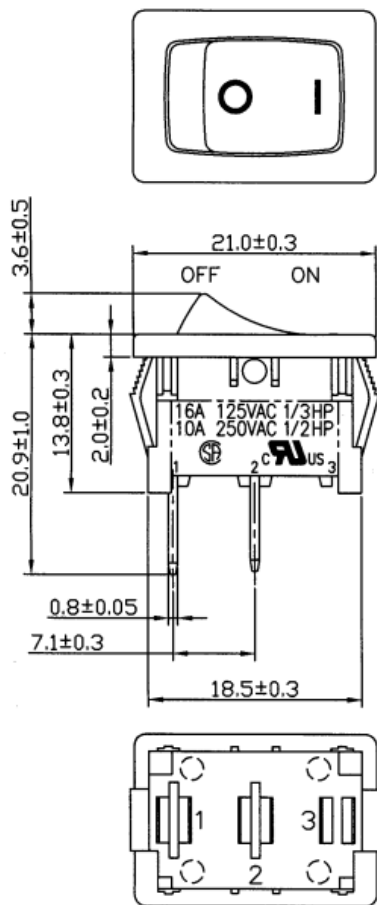


# Datasheet

## Illuminated Red SPST Rocker Switch

RS Stock number [419-750](#)

Dimensions: (mm)

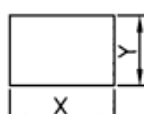



Material:

Frame: Nylon#66, Black

Actuator: Nylon#66, Red

Printed: White, hot stamping

Rating	16A 125VAC 1/3HP 10A 250VAC 1/2HP	Mounting Hole	Circuit Diagram												
Contact Resistance	50m ohm Max.	 <table border="1"> <thead> <tr> <th>Thickness</th> <th>X</th> <th>Y</th> </tr> </thead> <tbody> <tr> <td>0.75...1.25</td> <td>19.2-0.1</td> <td>13+0.1</td> </tr> <tr> <td>1.25...2</td> <td>19.4-0.1</td> <td>13+0.1</td> </tr> <tr> <td>2...3</td> <td>19.8-0.1</td> <td>13+0.1</td> </tr> </tbody> </table>	Thickness	X	Y	0.75...1.25	19.2-0.1	13+0.1	1.25...2	19.4-0.1	13+0.1	2...3	19.8-0.1	13+0.1	
Thickness	X		Y												
0.75...1.25	19.2-0.1		13+0.1												
1.25...2	19.4-0.1		13+0.1												
2...3	19.8-0.1		13+0.1												
Insulation Resistance	DC 500V 100M ohm Min.														
Dielectric Strength	AC 1500V 1 minute														
Operation Temperature	-25°C~85°C														
Switch Function	2P SPST ON-OFF														