

## Product Datasheet

# Switch 2 position selector 16mm cut out

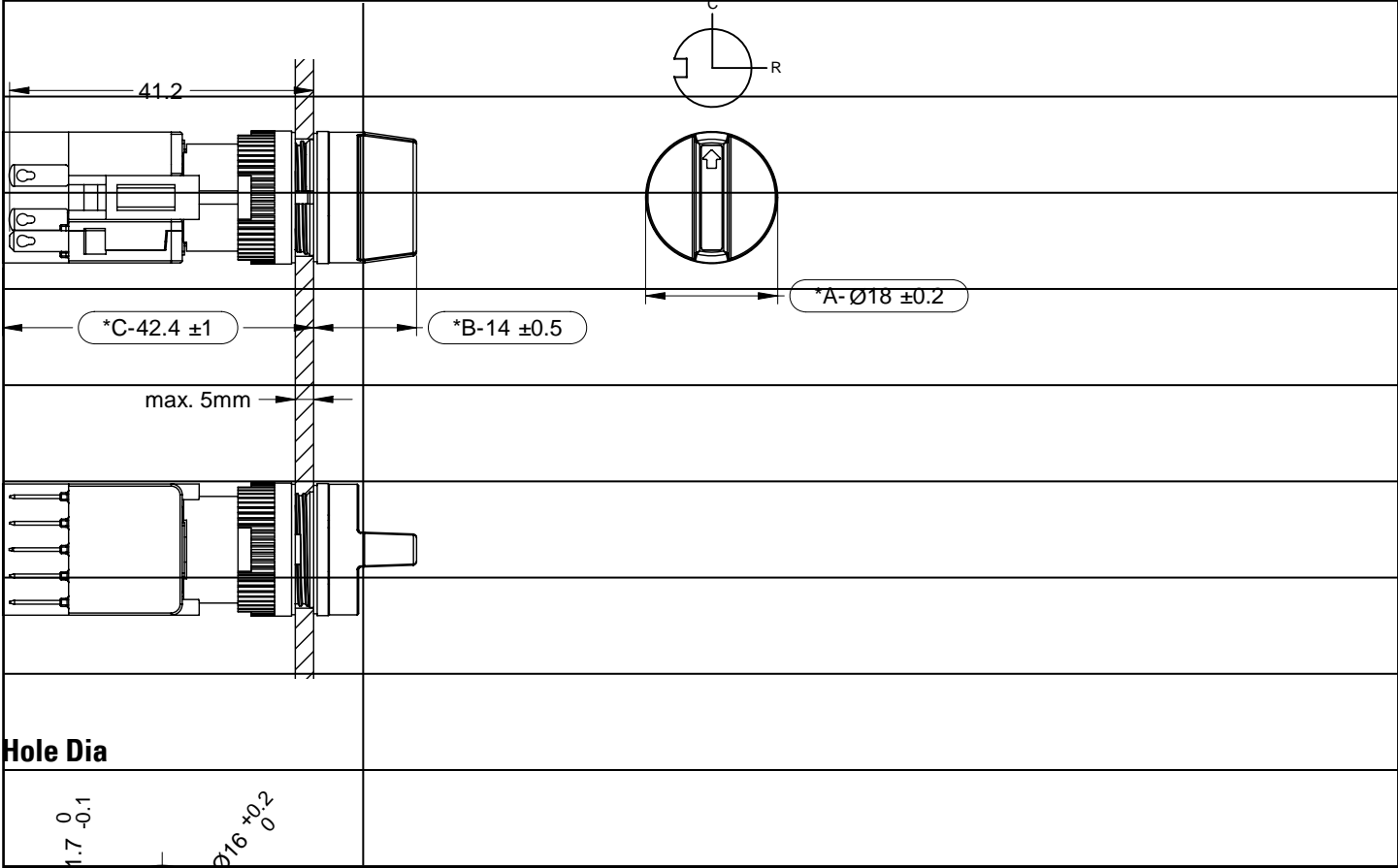


**RoHS**  
Compliant

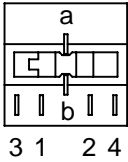
### Product Specifications

Mechanical lifetime	> 0.25 million operations
Electric rating	250V AC 5A
Max. insulation voltage	>1500V 60HZ 1minute between all terminals
Motion tolerance	< 20 operation / minute
Panel thickness	0.5mm ~ 5mm
Degree of protection	IP 65
Storage temperature	- 40°C to +70°C
Operating temperature	- 25°C to +55°C (-25°C to +70°C without lamp)
Contact resistance	< = 50mΩ (initial)

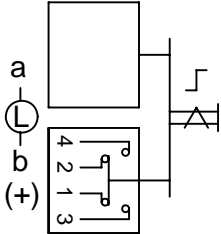
Soldering/Plug-in Type Selector Switch



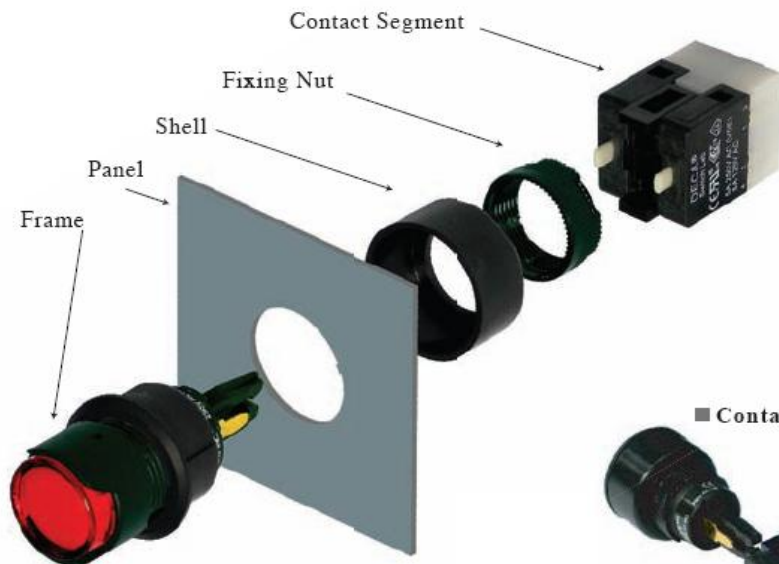
Bottom View



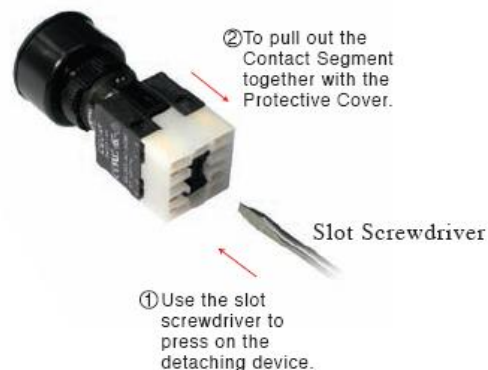
Electrical Diagram



**CONFIGURATION**



■ Detachment of the Contact Assembly



■ Contact Assembly



■ Protective Cover is detachable

Hook of the Protective Cover

