



ENGLISH

## Datasheet

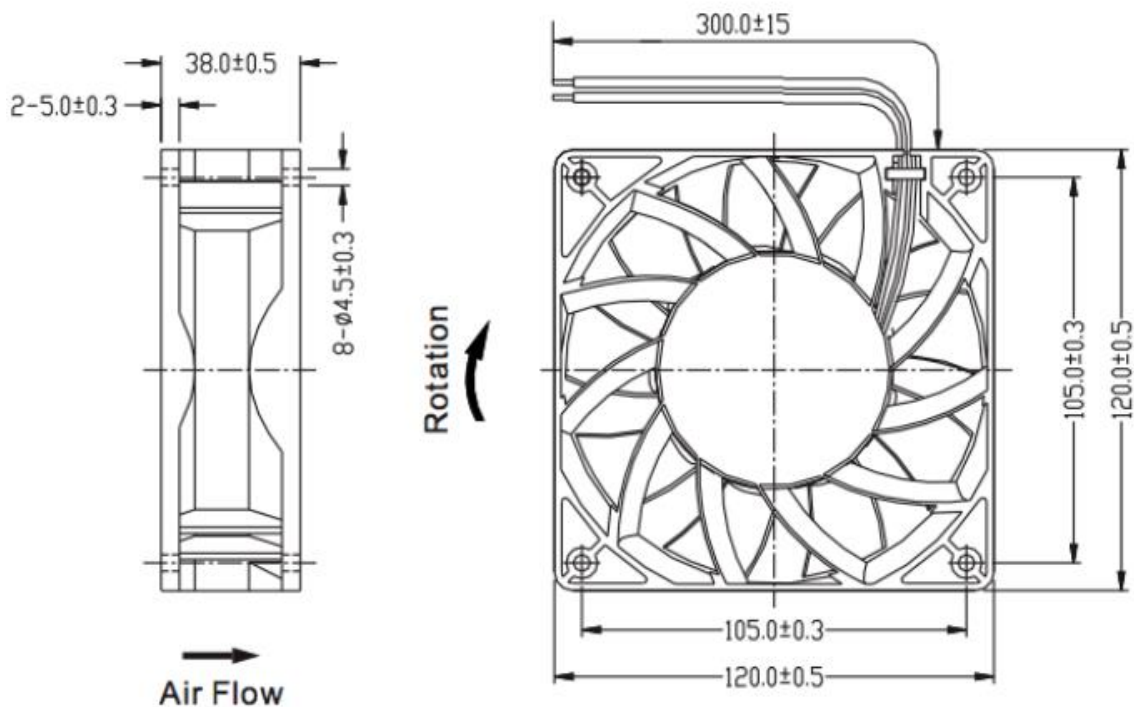
# DC Axial Fan, 120 x 120 x 38mm, 384m/h, 12 V dc (OD1238 Series)

RS Stock number [703-3460](#)



RS Order Number	7033460
Nominal Voltage	12 VDC
Voltage Range	6 ~ 14 VDC
Nominal Current	3.6 A
Rated Speed (RPM)	5000
Airflow (CFM)	226
Noise Level (dB)	65
Max. Static Pressure	1.35" H2O

**Drawing(mm):**



**Specifications:**

- Frame & Impeller: PBT, UL94V-O plastic
- Connection: 4x Lead wires 24AWG + YEL, - BLACK
- Motor: Brushless DC, auto restart, polarity protected
- Bearing System: Dual ball bearing
- Insulation Resistance: 10M ohm between lead wire and frame (500VDC)
- Dielectric Strength: 1 second at 500 VAC, max leakage – 500 MicroAmp
- Operating Temp: -20°C ~ 60°C
- Life Expectancy(L10): 65,000 hours (45C)

**Options:**

- Tachometer – Open collector (GREEN)
- PWM Input (BLUE)