

Professional Jack Sockets

3.5mm

multicomp PRO

**RoHS
Compliant**

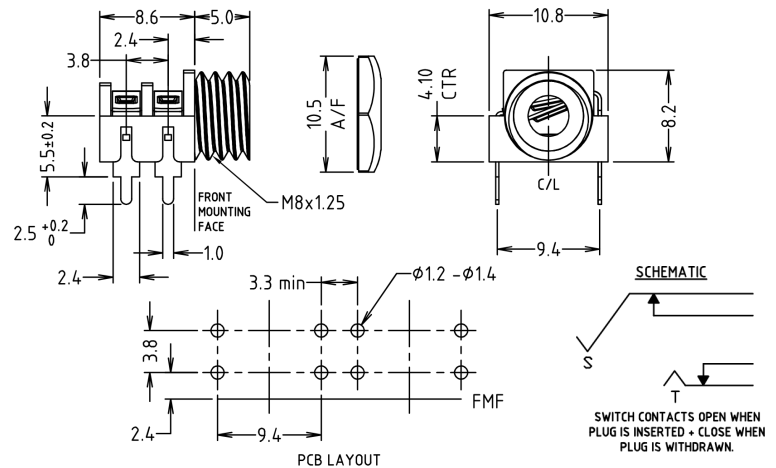
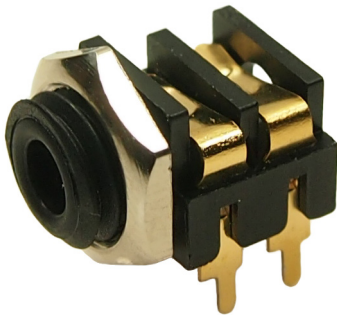
Description

Designed to receive both mono and stereo 1/4" jack plugs, these jack sockets are produced from grade 1, black nylon. Contacts are tin or gold plated and are either solder tag or PC mounting.

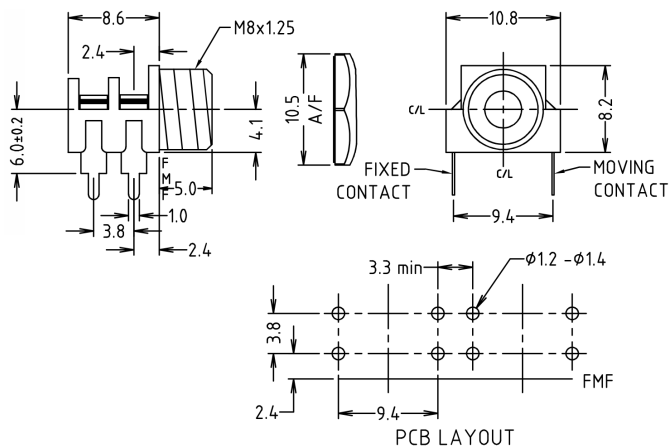
General Specification

Withstand voltage : 2000V DC minimum.
 Maximum current : 5 amps.
 Life : Minimum 10,000+ operations.
 Temperature rating : -10°C to +70°C
 Nominal contact resistance : < 50mΩ.

MP13845GA - S6/BB PC Mono Switched 3.5mm jack socket.
PC tags with 5.5mm mounting height from the board. Gold Plated.



MP1384ASM - S6/BB PC Mono Switched 3.5mm jack socket.
PC tags with 6.0mm mounting height from the board.



Dimensions : Millimetres

Newark.com/multicomp-pro
 Farnell.com/multicomp-pro
 Element14.com/multicomp-pro

multicomp PRO

Professional Jack Sockets

3.5mm

multicomp PRO



MP1434 - Plated nut for S6. Thread M8 × 1.25

Part Number Table

Description	Part Number
Mono Switched 3.5mm Jack Socket, PC Tags with 5.5mm Mounting Height, Gold Plated.	MP13845GA
Mono Switched 3.5mm Jack Socket, PC Tags with 6.0mm Mounting Height	MP1384ASM
Thread M8x1.25, Plated Nut for S6	MP1434

Important Notice : This data sheet and its contents (the "Information") belong to the members of the AVNET group of companies (the "Group") or are licensed to it. No licence is granted for the use of it other than for information purposes in connection with the products to which it relates. No licence of any intellectual property rights is granted. The Information is subject to change without notice and replaces all data sheets previously supplied. The Information supplied is believed to be accurate but the Group assumes no responsibility for its accuracy or completeness, any error in or omission from it or for any use made of it. Users of this data sheet should check for themselves the Information and the suitability of the products for their purpose and not make any assumptions based on information included or omitted. Liability for loss or damage resulting from any reliance on the Information or use of it (including liability resulting from negligence or where the Group was aware of the possibility of such loss or damage arising) is excluded. This will not operate to limit or restrict the Group's liability for death or personal injury resulting from its negligence. Multicomp Pro is the registered trademark of Premier Farnell Limited 2019.

Newark.com/multicomp-pro
Farnell.com/multicomp-pro
Element14.com/multicomp-pro

multicomp PRO