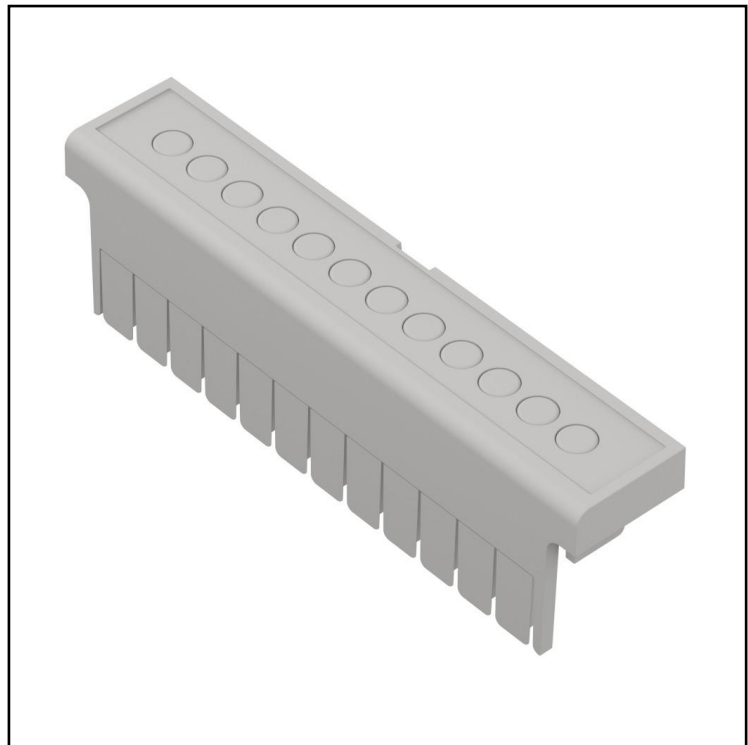


FEATURES

- Made of ABS V0
- Terminal cover customizable with PLUG 5.08.

RS PRO DIN Rail Enclosures

RS Stock No.: 2383982



RS Professionally Approved Products bring to you professional quality parts across all product categories. Our product range has been tested by engineers and provides a comparable quality to the leading brands without paying a premium price.

Product Description

Four module slot mask with holes for end plugs ZDPLUG 5,08. Recommended in situations where some connections in the connector are used. Plugs allow multiple reconfiguration of holes, eliminating the need for additional tools and giving an aesthetic appearance. Slot mask designed for ZD1008, ZD1012 enclosures.

General Specifications

Material	ABS V0
Colour	Lightgray
Applications	Accessories for DIN Rail Enclosures

Mechanical Specifications

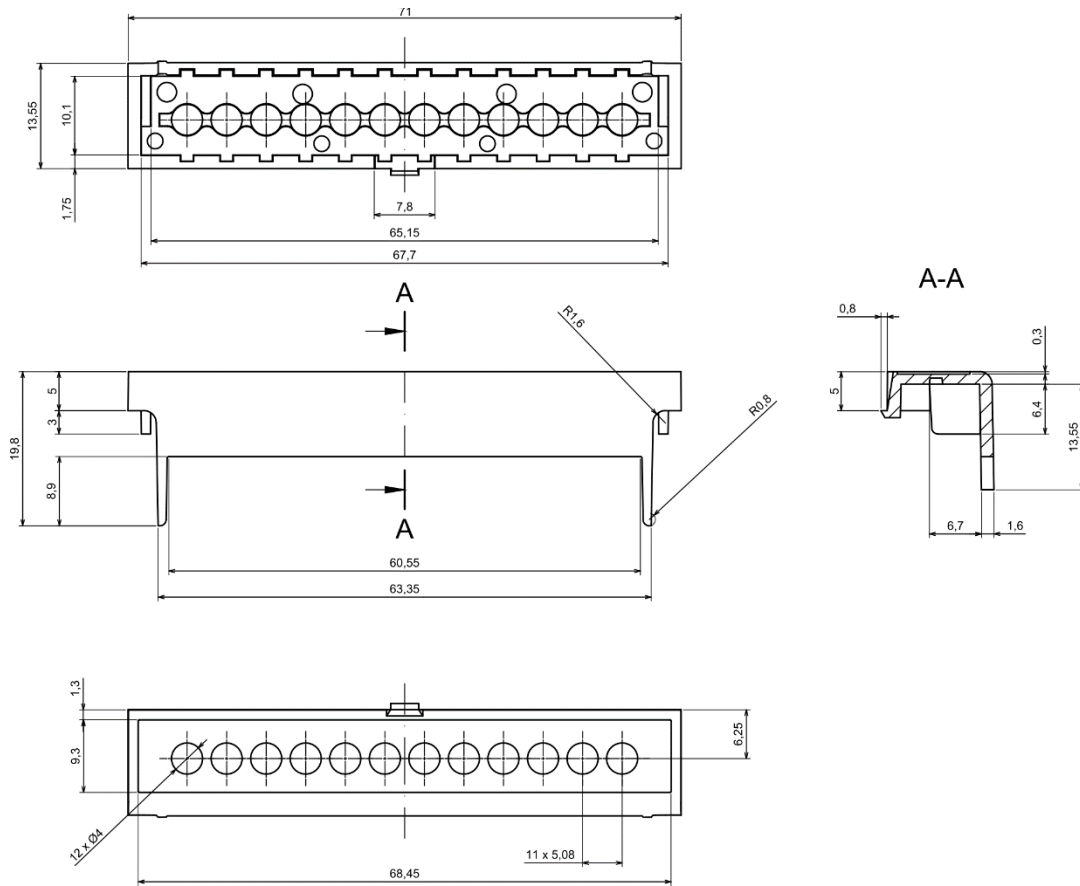
Height	19.8 mm
Width	13.6 mm
Length	71.0 mm
Gasket	No

Approvals

Standards Met	RoHS Compliant
----------------------	----------------

Similar Products

Stock No.	Brand	Product Name	Type
2383983	RS PRO	DIN Rail Enclosures	Full terminal cover
2383984	RS PRO	DIN Rail Enclosures	Terminal cover for sockets



All dimensions are given within +/-0,5mm tolerance