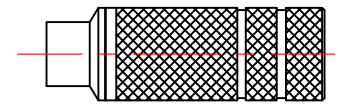
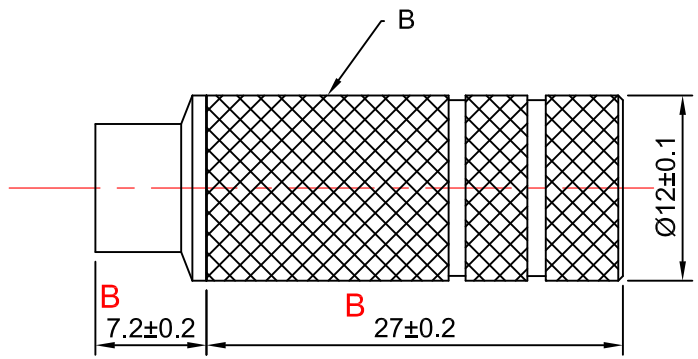
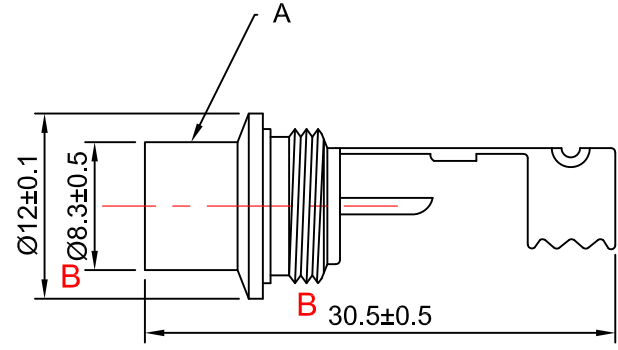



Issue	Description	Date
A	新圖	2011/06/02
B	修改尺寸	2015/08/20



1:1

G						All Dimensions are Millimeters Unless Otherwise Specified Tolerances 0.5~6= ± 0.1 6~30= ± 0.3 30~120= ± 0.5 120~315= ± 0.8 ANGLES= $\pm 3^\circ$	Checked	Drawn			
F								黃琬婷			
E								2015/08/20			
D											
C								力代	CN-RJ-004-700	祥發	
B	Shell	1	Brass	Nickel			Title	RCAJ for 6mm Cable			
A	Body	1	Brass	Gold			Cable				
NO	Description	Unti	Materials	Finish/Color	Part No.	Scale 1:1	Issue	A			