

Datasheet

RS PRO Thick Film Chip Resistor - CR Series

Stock Number: 1839600

EN



Thick Film Chip Resistor



■ Scope

- This specification applies to all sizes of rectangular-type fixed chip resistors with Ruthenium-base as material.

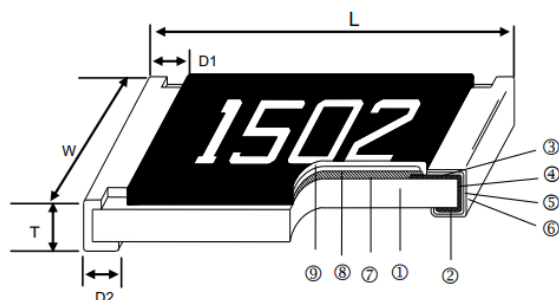
■ Features

- Small size and light weight
- Highly reliable multilayer electrode construction
- Compatible with all soldering process
- Long side terminations

■ Applications

- Telecommunication Equipments
- Highly reliable multilayer electrode construction
- Compatible with all soldering process
- Long side terminations

■ Construction



①	Alumina Substrate	④	Edge Electrode	⑦	Resistor Layer
②	Bottom Electrode	⑤	Barrier Layer	⑧	Primary Overcoat
③	Top Electrode	⑥	External Electrode	⑨	Secondary Overcoat

[CR Series]

■ Dimensions

Type	Size (Inch)	L (mm)	W (mm)	T (mm)	D1 (mm)	D2 (mm)	Weight (g) (1000pcs)
1839600	1210	3.10±0.10	2.60±0.15	0.55±0.10	0.50±0.25	0.50±0.20	15.959

[CR Series]

■ Standard Electrical Specifications

Item Type	Power Rating at 70°C Jumper Rated Current	Operating Temp. Range	Max. Operating Voltage	Max. Overload Voltage	Resistance Range		TCR (PPM/°C)
					±1%(E24 - E96)	±5%(E24)	
1839600	1/3W	-55 ~ +155°C	200V	400V	1Ω - 9.76Ω 10Ω - 1MΩ 1.02MΩ - 20MΩ 20.5MΩ - 39MΩ		±200 ±100 ±200 ±400
	Jumper: 2.5A				-	0Ω (<50mΩ)	-

[CR Series]

■ High Precision Electrical Specifications

Item Type	Power Rating at 70°C	Operating Temp. Range	Max. Operating Voltage	Max. Overload Voltage	Resistance Range (E24 · E96)			TCR (PPM/°C)
					±0.1%	±0.25%	±0.5%	
1839600	1/3W	-55 ~ +155°C	200V	400V	10Ω - 1MΩ			±100
					-	1.02M - 10MΩ		±200

■ TC50 Electrical Specifications

Item Type	Power Rating at 70°C	Operating Temp. Range	Max. Operating Voltage	Max. Overload Voltage	Resistance Range (E24 · E96)				TCR (PPM/°C)
					±0.1%	±0.25%	±0.5%	±1%	
1839600	1/3W	-55 ~ +155°C	200V	400V	1MΩ	10Ω - 10MΩ			

[CR Series]

■ High Power & Ultra High Power Rating Electrical Specifications

Type	Item	Power Rating at 70°C	Operating Temp. Range	Max. Operating Voltage	Max. Overload Voltage	Resistance Range		TCR (PPM/°C)
						±1% (E24、E96)	±5% (E24)	
1839600	1/2	*3/4W	-55 ~ +155°C	200V	400V	1Ω - 9.76Ω	1Ω - 9.76Ω	±200
	Jumper: 5A	10Ω - 1MΩ				10Ω - 1MΩ	±100	
						-	0Ω (<20mΩ)	-

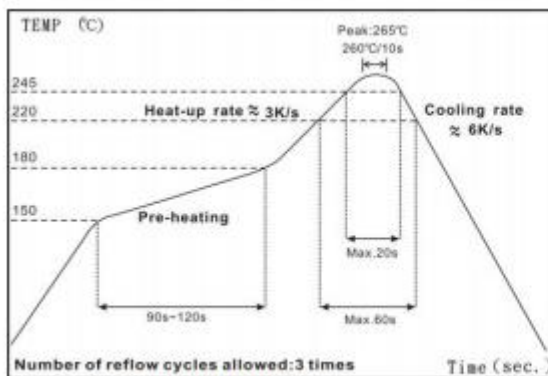
*: Ultra High Power

Operating Voltage= $\sqrt{P \cdot R}$ or Max. Operating Voltage listed above, whichever is lower.

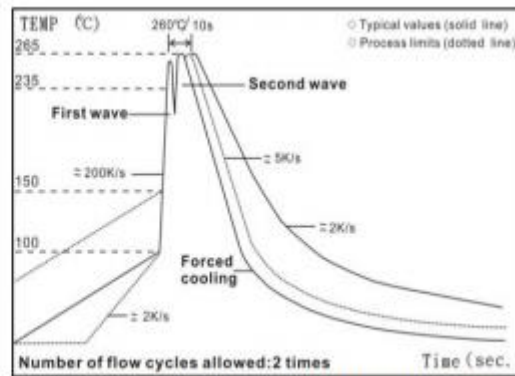
Overload Voltage= $2.5 \cdot \sqrt{P \cdot R}$ or Max. Overload Voltage listed above, whichever is lower

■ RSpro is capable of manufacturing the optional spec based on customer's requirement.

■ Soldering Condition



IR Reflow Soldering

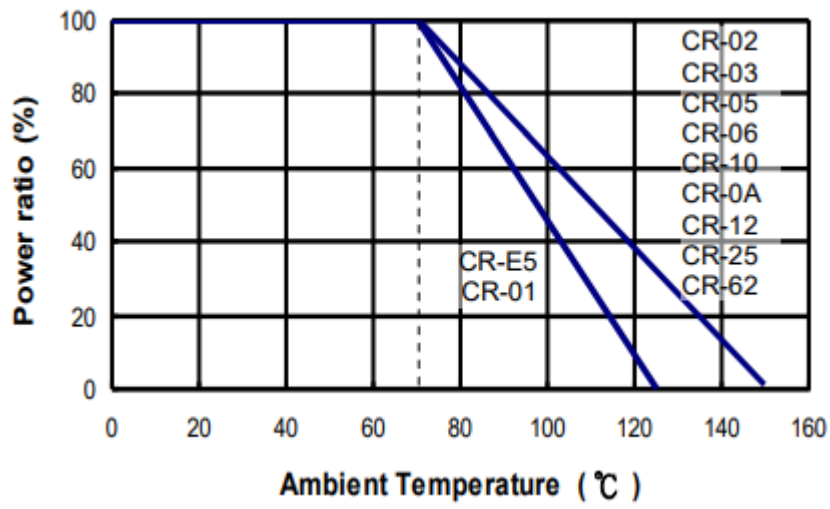


Wave Soldering (Flow Soldering)

- (1) Time of IR reflow soldering at maximum temperature point 260°C : 10s
- (2) Time of wave soldering at maximum temperature point 260°C : 10s
- (3) Time of soldering iron at maximum temperature point 410°C : 5s

[CR Series]

■ Derating Curve



[CR Series]

■ Environmental Characteristics

Item	Requirement			Test Method
	±1% and Below	±5%	Jumper	
Temperature Coefficient of Resistance (T.C.R.)	As Spec.			JIS-C-5201-1 4.8 IEC-60115-1 4.8 -55°C~+125°C, 25°C is the reference temperature
Short Time Overload	±(1.0%+0.05Ω)	±(2.0%+0.05Ω)	<50mΩ	JIS-C-5201-1 4.13 IEC-60115-1 4.13 RCWV*2.5 or Max. Overload Voltage whichever is lower for 5 seconds, 2 seconds for high power series
Insulation Resistance	≥10G			JIS-C-5201-1 4.6 IEC-60115-1 4.6 Max. Overload Voltage for 1 minute
Endurance	±(1.0%+0.10Ω)	±(2.0%+0.10Ω)	<100mΩ	JIS-C-5201-1 4.25 IEC-60115-1 4.25.1 70±2°C, RCWV for 1000 hrs with 1.5 hrs "ON" and 0.5 hr "OFF"
Damp Heat with Load	±(1.0%+0.10Ω)	±(2.0%+0.10Ω)	<100mΩ	JIS-C-5201-1 4.24 IEC-60115-1 4.24 40±2°C, 90~95% R.H., RCWV for 1000 hrs with 1.5 hrs "ON" and 0.5 hr "OFF"
Dry Heat	±(1.0%+0.05Ω)	±(1.5%+0.10Ω)	<50mΩ	JIS-C-5201-1 4.23 IEC-60115-1 4.23.2 at +125/+155°C for 1000 hrs
Bending Strength	±(1.0%+0.05Ω)	±(1.0%+0.05Ω)	<50mΩ	JIS-C-5201-1 4.33 IEC-60115-1 4.33 Bending once for 5 seconds 2010, 2512 sizes: 2mm Other sizes: 3mm
Solderability	95% min. coverage			JIS-C-5201-1 4.17 IEC-60115-1 4.17 245±5°C for 3 seconds
Resistance to Soldering Heat	±(0.5%+0.05Ω)	±(1.0%+0.05Ω)	<50mΩ	JIS-C-5201-1 4.18 IEC-60115-1 4.18 260±5°C for 10 seconds
Voltage Proof	No breakdown or flashover			JIS-C-5201-1 4.7 IEC-60115-1 4.7 1.42 times Max. Operating Voltage for 1 minute
Leaching	Individual leaching area ≤5% Total leaching area ≤ 10%			JIS-C-5201-1 4.18 IEC-60068-2-58 8.2.1 260±5°C for 30 seconds
Rapid Change of Temperature	±(0.5%+0.05Ω)	±(1.0%+0.05Ω)	<50mΩ	JIS-C-5201-1 4.19 IEC-60115-1 4.19 -55°C to +125/+155°C, 5 cycles

RCWV (Rated Continuous Working Voltage)= $\sqrt{P \cdot R}$ or Max. Operating Voltage whichever is lower

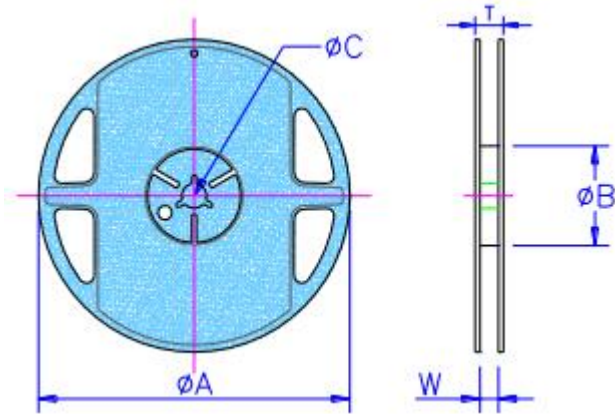
■ Storage Temperature: 15~28°C; Humidity < 80%RH



[CR Series]

■ Packaging

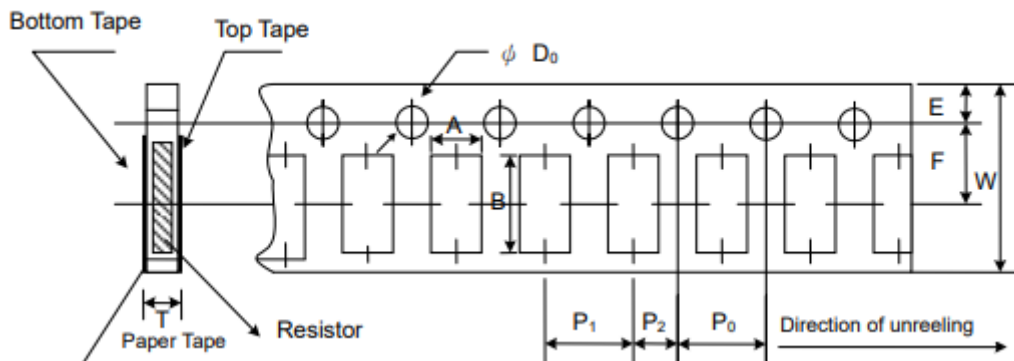
Reel Specifications & Packaging Quantity



Type	Packaging Quantity		Tape Width	Reel Diameter	ϕA (mm)	ϕB (mm)	ϕC (mm)	W (mm)	T (mm)
1839600	Paper	20K	8mm	13 inch	330±1.0	100±0.5	13.0±0.2	9.5±0.5	13.5±0.5

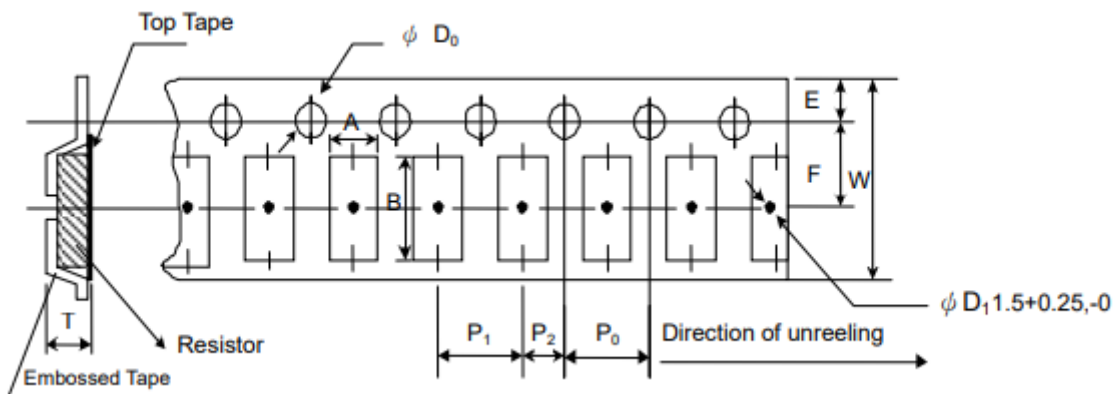
[CR Series]

Paper Tape Specifications



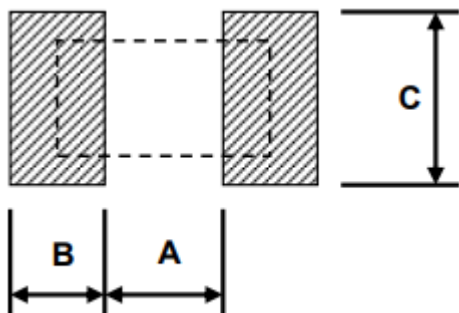
Type	A (mm)	B (mm)	W (mm)	E (mm)	F (mm)	P ₀ (mm)	P ₁ (mm)	P ₂ (mm)	ΦD ₀ (mm)	T (mm)
1839600	2.90±0.10	3.50±0.20	8.0±0.20	1.75±0.10	3.50±0.05	4.00±0.10	4.00±0.05	2.00±0.05	1.50+0.1,-0	0.85±0.10

Embossed Plastic Tape Specifications



[CR Series]

■ Recommend Land Pattern



Type	A (mm)	B (mm)	C (mm)
1839600	2.00	0.90	2.80

■ Marking

No Marking for 01005, 0201 and 0402

Jumper for all: Letter "0"

1% for 0805/1206/1210/2010/2512/1225/0612: 4 digits marking

Resistance	100Ω	2.2KΩ	10KΩ	49.9KΩ	100KΩ
Marking	1000	2201	1002	4992	1003

5% for 0603/0805/1206/1210/2010/2512/1225/0612: 3 digits marking in E24

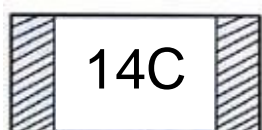
Example: 101=100Ω 102=1KΩ (1st and 2nd are E24 code and 3rd code is multiplier)

E24 code	10	11	12	13	15	16	18	20	22	24	27	30	33	36	39	43	47	51	56	62	68	75	82	91
----------	----	----	----	----	----	----	----	----	----	----	----	----	----	----	----	----	----	----	----	----	----	----	----	----

1% for 0603(E24): 3 digits marking in E24, When the E24 and E96 are the same resistance, this marking in E96

Example: 01A= 100Ω 05C=11KΩ 123=12KΩ 273=27KΩ

1% for 0603: 3 digits marking in E96



3 digits marking for Example: 14C=13K7Ω 13C=13K3Ω

68B=4K99Ω 68X=49.9Ω

[CR Series]

Marking Table

Code	E96		Code	E96		Code	E96		Code	E96	
01	100		25	178		49	316		73	562	
02	102		26	182		50	324		74	576	
03	105		27	187		51	332		75	590	
04	107		28	191		52	340		76	604	
05	110		29	196		53	348		77	619	
06	113		30	200		54	357		78	634	
07	115		31	205		55	365		79	649	
08	118		32	210		56	374		80	665	
09	121		33	215		57	383		81	681	
10	124		34	221		58	392		82	698	
11	127		35	226		59	402		83	715	
12	130		36	232		60	412		84	732	
13	133		37	237		61	422		85	750	
14	137		38	243		62	432		86	768	
15	140		39	249		63	442		87	787	
16	143		40	255		64	453		88	806	
17	147		41	261		65	464		89	825	
18	150		42	267		66	475		90	845	
19	154		43	274		67	487		91	866	
20	158		44	280		68	499		92	887	
21	162		45	287		69	511		93	909	
22	165		46	294		70	523		94	931	
23	169		47	301		71	536		95	953	
24	174		48	309		72	549		96	976	
Code	A	B	C	D	E	F	G	X	Y		
Multiplier	10 ⁰	10 ¹	10 ²	10 ³	10 ⁴	10 ⁵	10 ⁶	10 ⁻¹	10 ⁻²		

REVISION HISTORY

REVISION	DATE	CHANGE NOTIFICATION	DESCRIPTION
Version C	Jun 03, 2014	-	- Environmental Characteristics updated - Size CR-25 specifications added
Version C1	Apr 30, 2015	-	- High Power & Ultra High Power Rating Electrical Increase Jumper Specifications
Version C2	Jun 09, 2015	-	Increase 0603(E24) 1% marking description
Version C3	Jul 15, 2016	-	- Remove Material Description - Size CR-62 specifications added - Modify Storage Temperature
Version C4	Jan 12, 2018	-	- Modify Electrical Specifications (0R) - Modify 1225 Dimension L, W - Modify 2512 Land Pattern



[CR Series]

Stock Number: 1839857, 1839514, 1839884, 1839521, 1839805, 1839505, 1839706, 1839509, 1839789, 1839659, 1839510, 1839511, 1839838, 1839700, 1839517, 1839519, 1839753, 1839523, 1839851, 1839526, 1839925, 1839527, 1839937, 1839529, 1839952, 1839503, 1839668, 1839504, 1839684, 1839733, 1839507, 1839508, 1839759, 1839638, 1839515, 1839516, 1839674, 1839727, 1839518, 1839520, 1839779, 1839522, 1839825, 1839878, 1839524, 1839525, 1839911, 1839536, 1839651, 1839854, 1839544, 1839530, 1839964, 1839990, 1839532, 1839724, 1839538, 1839776, 1839541, 1839898, 1839557, 1839531, 1839977, 1839533, 1840004, 1839534, 1840016, 1839535, 1840030, 1839537, 1839691, 1839539, 1839750, 1839802, 1839542, 1839543, 1839828, 1839881, 1839545, 1839546, 1839905, 1839547, 1839654, 1839688, 1839548, 1839721, 1839549, 1839550, 1839747, 1839769, 1839551, 1839552, 1839799, 1839553, 1839818, 1839554, 1839848, 1839555, 1839875, 1839644, 1839558, 1839559, 1839677, 1839703, 1839560, 1839564, 1839782, 1839756, 1839563, 1839730, 1839561, 1839808, 1839565, 1839566, 1839831, 1839567, 1839864, 1839895, 1839568, 1839660, 1839569, 1839573, 1839773, 1839570, 1839694, 1839717, 1839571, 1839574, 1839793, 1839575, 1839815, 1839576, 1839841, 1839740, 1839572, 1839577, 1839868, 1839891, 1839579, 1839671, 1839580, 1839583, 1839744, 1839586, 1839796, 1839713, 1839582, 1839766, 1839585, 1839902, 1839591, 1839697, 1839581, 1839587, 1839822, 1839588, 1839845, 1839872, 1839589, 1839592, 1839665, 1839593, 1839681, 1839737, 1839595, 1839762, 1839596, 1839710, 1839594, 1839599, 1839834, 1839812, 1839598, 1839600, 1839861, 1839597, 1839785, 1839605, 1839958, 1839971, 1839606, 1839928, 1839603, 1839604, 1839941, 1839608, 1839983, 1839601, 1839888, 1839602, 1839918, 1839609, 1839997, 1839945, 1839616, 1839620, 1839993, 1839612, 1840033, 1839914, 1839614, 1839955, 1839617, 1839618, 1839968, 1839622, 1840020, 1839623, 1840036, 1839921, 1839625, 1839626, 1839934, 1839627, 1839948, 1839630, 1839974, 1839986, 1839631, 1840000, 1839632, 1839634, 1840027, 1840010, 1839610, 1840024, 1839611, 1839615, 1839931, 1839619, 1839980, 1840007, 1839621, 1839908, 1839624, 1839628, 1839961, 1839633, 1840013

FOR MORE INFORMATION VISIT THIS SITE

<http://www.rs-components.com/index.html>

