

FEATURES

- Versatile and easy to fit
- Hexagonal design allows tightening with a wrench
- Lock PCB securely into place
- Brass material for mechanical strength and resistance to high-temperature environments
- Nickel plating for resistance to corrosion

RS PRO Brass Hex Standoff Male/Female, 25mm, M5 x M5

RS Stock No.: 806-6648



RS Professionally Approved Products bring to you professional quality parts across all product categories. Our product range has been tested by engineers and provides a comparable quality to the leading brands without paying a premium price.

Product Description

From RS Pro a range of robust, high-quality hexagonal shaped standoffs made from zinc plated mild steel with a metric internal thread or threaded stud on either end. These versatile standoffs are designed to securely mount your PCB as well as elevating it from other components such as the inside of a computer chassis or another PCB. They are also ideal for improving airflow space around components when the equipment becomes hot. These stand-offs are available in a range of different heights and threads sizes to suit a wide range of PCB applications.

General Specifications

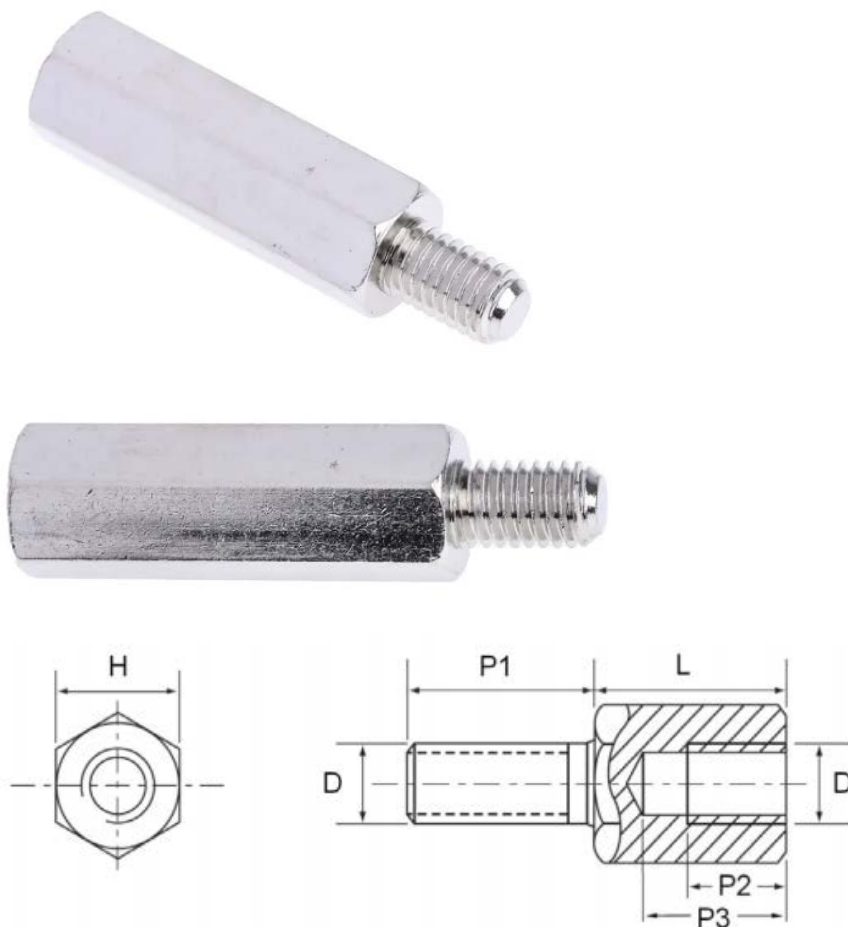
Gender Type	Male/Female
Material	Brass
Body Shape	Hex
Finish	Nickel Plated
Plating	Nickel
Application	Consumer electronics, office machinery, Datacom's and telecommunications equipment.

Mechanical Specifications

Body Length	25mm
Thread Size	M5 x M5
Stud Length	8mm
Thread Size A	M5
Thread Size B	M5
Hex Size Across Flat	8mm
Hole Depth	15mm
Internal Thread Size	10mm

Approvals

Compliance/Certifications	EN61340
----------------------------------	---------



RS Article	Description	Material	Plating	H	D	P1	P2	P3	L
8066714	Brass Hex Threaded Spacer M4x10mm M/F	Brass	Nickel	7	M4	8	7	8.5	10
8066718	Brass Hex Threaded Spacer M4x12mm M/F						8	10	12
8066727	Brass Hex Threaded Spacer M4x15mm M/F						10	13	15
8066720	Brass Hex Threaded Spacer M4x20mm M/F						10	15	20
8066724	Brass Hex Threaded Spacer M4x25mm M/F						10	15	25
8066733	Brass Hex Threaded Spacer M4x30mm M/F						10	15	30
8066736	Brass Hex Threaded Spacer M4x35mm M/F						10	15	35
8066730	Brass Hex Threaded Spacer M4x40mm M/F						10	15	40
8066749	Brass Hex Threaded Spacer M4x45mm M/F						10	15	45
8066742	Brass Hex Threaded Spacer M4x50mm M/F						10	15	50
8066632	Brass Hex. Threaded Spacer M5x10mm	Brass	Nickel	8	M5	8	7	8.5	10
8066635	Brass Hex. Threaded Spacer M5x15mm						10	13	15
8066639	Brass Hex. Threaded Spacer M5x20mm						10	15	20
8066648	Brass Hex. Threaded Spacer M5x25mm						10	15	25
8066641	Brass Hex. Threaded Spacer M5x30mm						10	15	30
8066645	Brass Hex. Threaded Spacer M5x35mm						10	15	35
8066654	Brass Hex. Threaded Spacer M5x40mm						10	15	40
8066657	Brass Hex. Threaded Spacer M5x45mm						10	15	45
8066651	Brass Hex. Threaded Spacer M5x50mm						10	15	50
8066660	Brass Hex. Threaded Spacer M5x60mm						10	15	60

RS Article	Description	Material	Plating	H	D	P1	P2	P3	L	
8066663	Steel Hex. Threaded Spacer M6x15mm	Steel	Nickel	10	M6	10	10	12	15	
8066667	Steel Hex. Threaded Spacer M6x20mm						10	12	20	
8066676	Steel Hex. Threaded Spacer M6x25mm						10	15	25	
8066679	Steel Hex. Threaded Spacer M6x30mm						10	15	30	
8066673	Steel Hex. Threaded Spacer M6x35mm						10	15	35	
8066682	Steel Hex. Threaded Spacer M6x40mm						10	15	40	
8066685	Steel Hex. Threaded Spacer M6x45mm						10	15	45	
8066689	Steel Hex. Threaded Spacer M6x50mm						10	15	50	
8066698	Steel Hex. Threaded Spacer M6x55mm						10	15	55	
8066691	Steel Hex. Threaded Spacer M6x60mm						10	15	60	
Threaded spacer, mild steel										
8066607	Threaded spacer, mild steel,M3x5mm,M/F	Steel	Zinc	5	M3	8	3	4.3	5	
8066588	Threaded spacer, mild steel,M3x10mm,M/F						6	8.5	10	
8066572	Threaded spacer, mild steel,M3x15mm,M/F						8	13	15	
8066613	Threaded spacer, mild steel,M3x20mm,M/F						8	15	20	
8066629	Threaded spacer, mild steel,M3x25mm,M/F						10	10	15	25
8066617	Threaded spacer, mild steel,M3x30mm,M/F						10	10	15	30
Threaded spacer, mild steel										
8066578	Threaded spacer, mild steel,M4x10mm,M/F	Steel	Zinc	7	M4	8	6	8.5	10	
8066562	Threaded spacer, mild steel,M4x15mm,M/F						8	13	15	
8066575	Threaded spacer, mild steel,M4x20mm,M/F						8	15	20	
8066604	Threaded spacer, mild steel,M4x25mm,M/F						10	10	15	25
8066590	Threaded spacer, mild steel,M4x30mm,M/F						10	10	15	30

RS Article	Description	Material	Plating	H	D	Hole(A/B)		L
8066695	Brass Hex Threaded Spacer M4x30mm Female	Brass	Nickel	7	M4	10	10	30
8066705	Brass Hex Threaded Spacer M4x35mm Female					10	10	35
8066708	Brass Hex Threaded Spacer M4x40mm Female					10	10	40
8066702	Brass Hex Threaded Spacer M4x45mm Female					10	10	45
8066711	Brass Hex Threaded Spacer M4x50mm Female					10	10	50
Threaded spacer, mild steel								
8066601	Threaded spacer, mild steel,M3x5mm,F/F	Steel	Zinc	5	M3	5		5
8066597	Threaded spacer, mild steel,M3x10mm,F/F					10		10
8066584	Threaded spacer, mild steel,M3x15mm,F/F					10	10	15
8066581	Threaded spacer, mild steel,M3x20mm,F/F					10	10	20
8066623	Threaded spacer, mild steel,M3x25mm,F/F					10	10	25
8066610	Threaded spacer, mild steel,M3x30mm,F/F					10	10	30
Threaded spacer, mild steel								
8066566	Threaded spacer, mild steel,M4x10mm,F/F	Steel	Zinc	7	M4	10		10
8066550	Threaded spacer, mild steel,M4x15mm,F/F					10	10	15
8066569	Threaded spacer, mild steel,M4x20mm,F/F					10	10	20
8066594	Threaded spacer, mild steel,M4x25mm,F/F					10	10	25
8066626	Threaded spacer, mild steel,M4x30mm,F/F					10	10	30