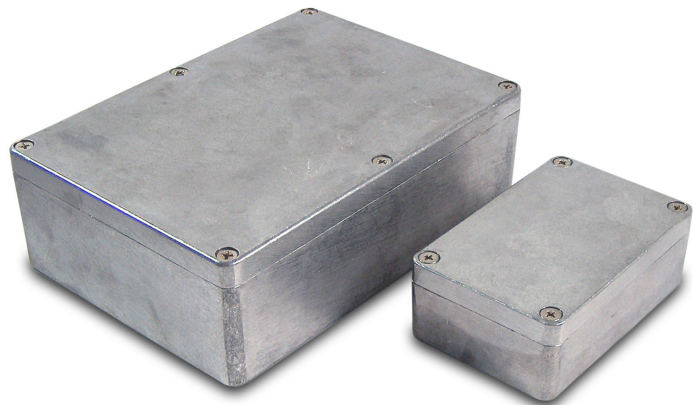


# Datasheet

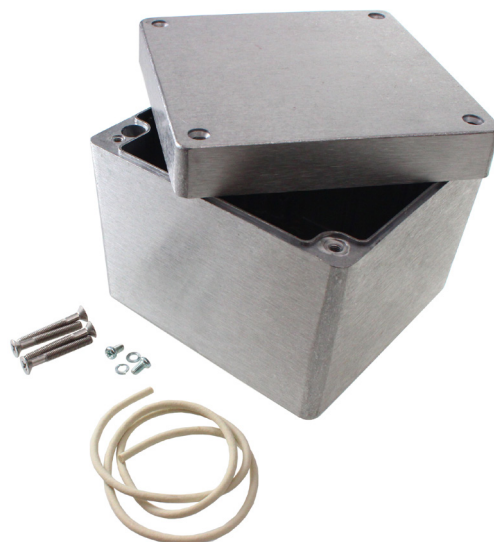
EN

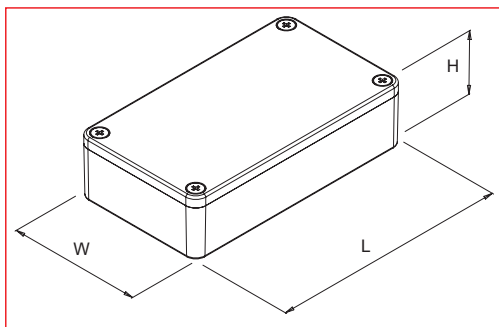
## Product overview

Heavy duty aluminium diecast boxes for industrial, control and mechanical engineering applications. Ideal for extreme conditions.



- Aluminium alloy
- Tongue and groove construction
- Lid incorporates a recessed gasket seal
- PCB pillars in base
- Low draft angle provides for maximum internal volume
- 5500 series has been designed to meet the requirements of IP65 (with supplied neoprene gasket)





SPECIFICATION	
Materials	Aluminium alloy ADC-12 (Al - Si - Cu based alloy)
Standard colours	Natural as standard Hamertone or powder coating optional
Protection class	5500 series has been designed to meet the requirements of IP65 (neoprene gasket provided for IP65 seal)
Standard unit includes	Case, lid, neoprene gasket, 4x fixing screws

NATURAL RAL	LENGTH	WIDTH	HEIGHT
1610930	64mm	58mm	35mm
1610929	90mm	36mm	30mm
1610931	115mm	65mm	30mm
1610932	115mm	90mm	55mm
1610935	159mm	159mm	102mm
1610933	171mm	121mm	55mm
1610918	222mm	146mm	55mm
1610934	222mm	146mm	82mm