



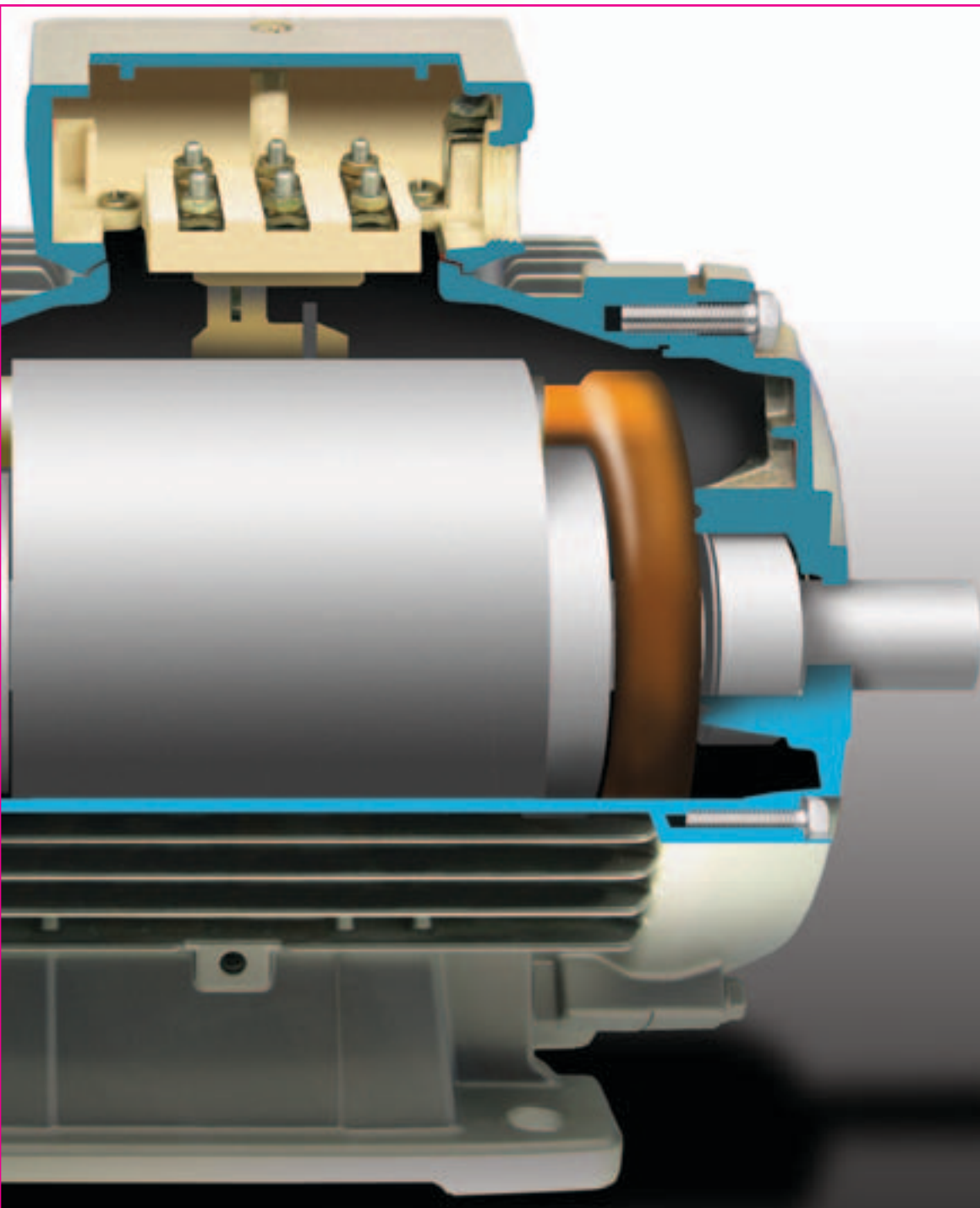
Get answers now!  
Take a vibration expert along.

# Fluke 810 Vibration Tester



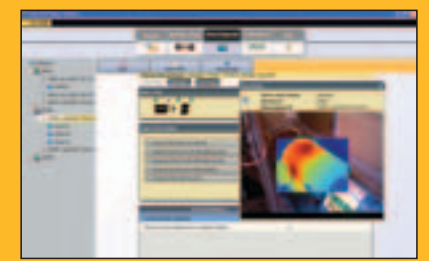
FLUKE®

Die Line - DOES NOT PRINT



## Everything you need for machine diagnosis.

### Expand data storage and tracking with Viewer application software



The Fluke 810 expands your data storage and tracking capabilities with Viewer PC software for your PC. Use Viewer to:

- Generate diagnostic reports
- Create machine set-ups on your PC, with the convenience of a keyboard and mouse, then transfer the information to the Fluke 810.
- View vibration spectra in greater detail
- Import and store JPEG images and Fluke thermal images for a more complete view of a machine's health

### A complete solution

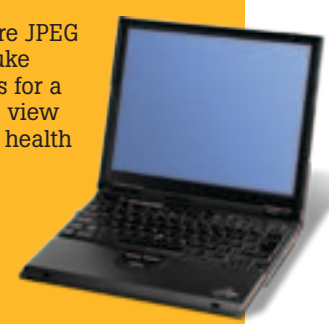
The Fluke 810 Vibration Tester comes complete with everything you need for vibration testing. It includes:

- Vibration tester
- Tri-axial accelerometer, magnet mount, mounting pad kit with adhesive, accelerometer quick-disconnect cable
- Laser tachometer and storage pouch
- Smart battery pack with cable and adapters
- Shoulder strap and adjustable hand strap
- Viewer PC software
- Mini USB to USB cable
- Getting Started Guide, illustrated quick reference guide, Users Manual CD-ROM
- Carrying case



### Interactive, self-paced training on DVD

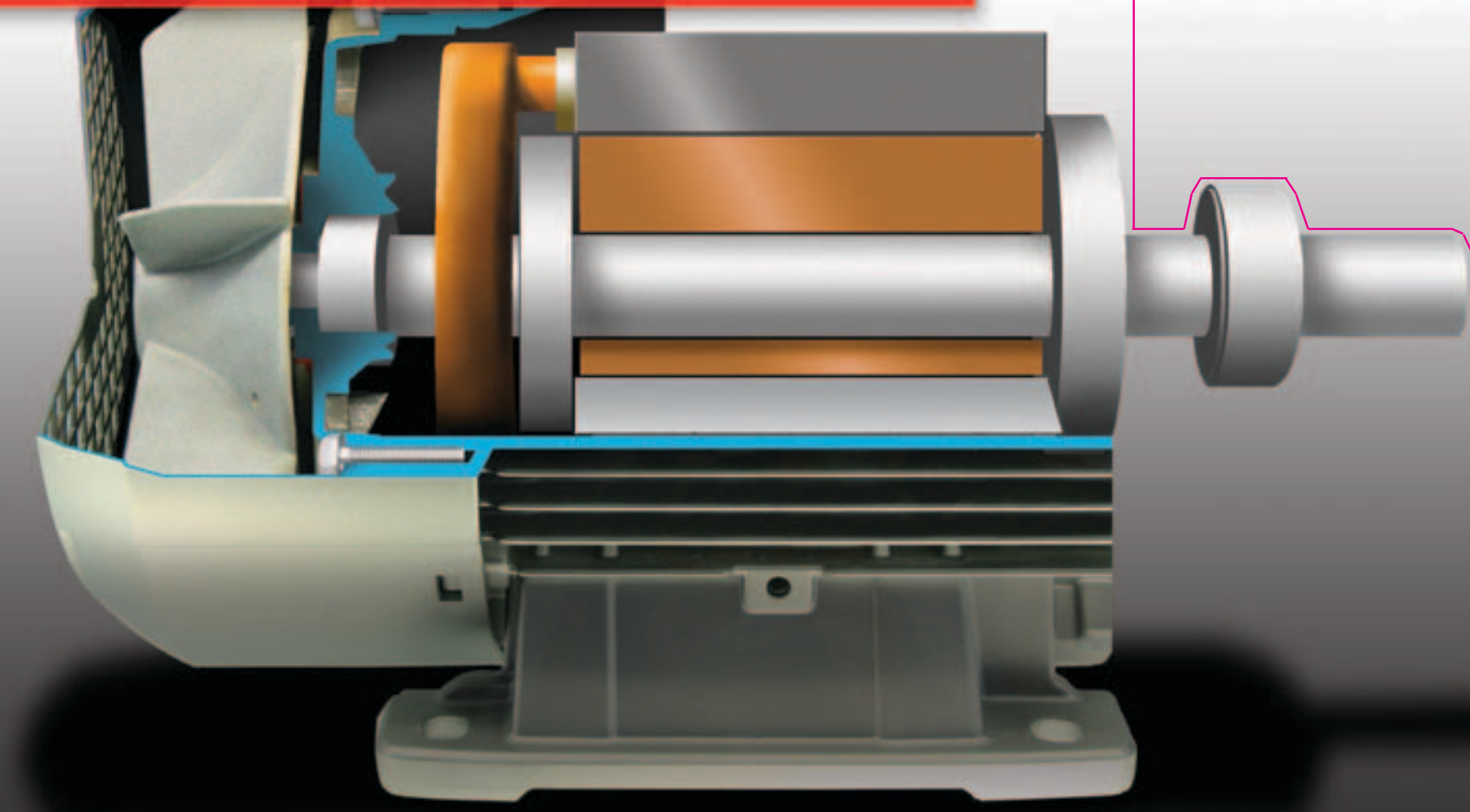
The Fluke 810 Vibration Tester takes the guesswork out of diagnosing common mechanical problems. A more in-depth understanding of vibration can, however, help you and your team prepare for and prevent future issues. Fluke has partnered with Mobius Institute, an industry leader in vibration training, to offer a self-paced training program using award-winning Mobius interactive techniques. Learn more about the basics of vibration and how to fully utilize the features and functionality of the Fluke 810 Vibration Tester.



FLUKE®

## Get a machine diagnosis

When you  
need it.



**Fluke.** Keeping your world up and running.\*

**Fluke Corporation**  
PO Box 9090, Everett, WA U.S.A. 98206

**Fluke Europe B.V.**  
PO Box 1186, 5602 BD Eindhoven, The Netherlands

**For more information call:**  
In the U.S.A. (800) 443-5853 or Fax (425) 446-5116 or Europe/M-East/Africa +31 (0) 40 2675 200 or Fax +31 (0) 40 2 675 222  
In Canada (800) 36-FLUKE or Fax (905) 890-6866  
From other countries +1 (425) 446-5500 or Fax +1 (425) 446-5116  
Web access: <http://www.fluke.com>

©2010 Fluke Corporation. Specifications subject to change without notice. Printed in U.S.A. 1/2010 3603030A F-EN-N  
Modification of this document is not permitted without written permission from Fluke Corporation.

# Quickly understand machine health and condition severity.

**Intuitive user interface** is multi-lingual and icon-based so you can use the Fluke 810 right out of the box

**Tri-axial TEDS accelerometer** reduces measurement time

**Laser Tachometer included** for accurate machine running speed and diagnostic confidence

**Fault severity scale** helps you set repair priorities

**Viewer PC Software** expands data storage and tracking capacity and imports Fluke thermal images

**Repair recommendations** advise technicians on corrective action

**On-board diagnostic engine** identifies four common faults: misalignment, unbalance, looseness and bearing condition

**On-board context-sensitive help** for real-time tips and guidance

**New Fluke 810 Vibration Tester for everyday mechanical maintenance.**

Die Line - DOES NOT PRINT

*"It helps me understand the SEVERITY before critical failure."*  
Dan G.



*"It's EASY to use, so a small company like ours can sort out all kinds of problems."*

Marcos J.

- Analyze common equipment:**
- Motors
  - Fans and blowers
  - Belts and chain drives
  - Gearboxes
  - Pumps
  - Compressors
  - Spindles
- Detect the root cause of mechanical failure:**
- Bearing problems
  - Misalignment
  - Unbalance
  - Looseness

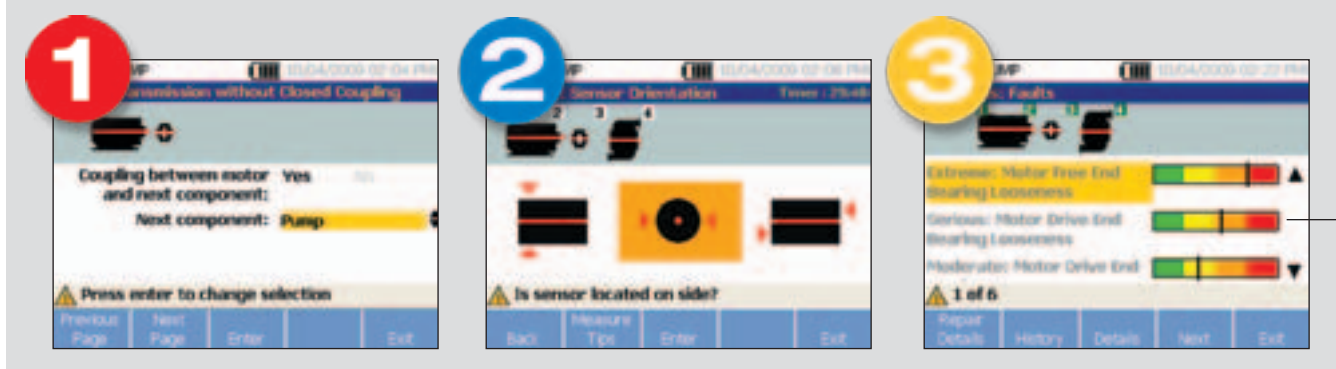
**An entirely new approach to troubleshooting mechanical problems**  
Control unplanned downtime, prevent recurring problems, set repair priorities and manage your resources with an entirely new approach to vibration testing.

The new Fluke 810 is the most advanced troubleshooting tool for mechanical maintenance teams who need an answer now. In three quick steps, it helps you locate and diagnose common mechanical problems on the spot.

- The Fluke 810:**
- **Analyzes common equipment**—like motors, fans and pumps—and determines the root cause and location of mechanical failure
  - **Gives you an immediate fault severity** assessment and repair recommendations
  - **Helps technicians:**
    - Quickly understand machinery health
    - Work more efficiently and effectively
  - **Helps managers:**
    - Control downtime by anticipating problems earlier
    - Eliminate recurring failures by identifying root causes
    - Bridge skills gap by capturing decades of mechanical experience in one tool

## Simple 3 step process

Fluke 810's unique design and intuitive user interface makes it easy to test machine vibration.



**Easy setup**  
The Fluke 810 asks for basic machine information you already know, like RPM and horsepower. Its onboard *Info* feature gives you field tips for setting up and taking measurements like a pro.

**Fast measurement**  
The Fluke 810 fits easily into your maintenance routine. Use it to quickly troubleshoot problems or monitor machine condition.

**Fix it right the first time**  
With the press of a button, the Fluke 810 identifies the root cause, its location, and the problem's severity. It will diagnose bearing condition, misalignment, unbalance and looseness, the most common mechanical problems faced today.

**Assess severity so you can repair critical problems first.**



Each machine diagnosis includes a severity assessment on an easy-to-interpret color scale. Four severity levels from slight, requiring no action, to extreme when immediate shut down and repair is recommended, help you set maintenance priorities. Focus on critical problems first and plan monitoring and maintenance for other equipment.

**The reliable, affordable answer for plants without predictive maintenance programs**  
Many facilities can't afford the time, money or manpower for a full predictive maintenance program. While such a program is ideal for longer-term machine health, many maintenance teams simply need answers right now. The Fluke 810 is the most advanced mechanical troubleshooting tool that gives you those answers. Get a fast, reliable diagnosis the first time

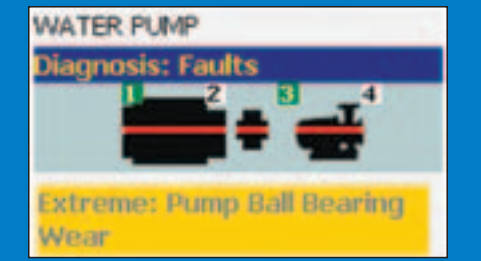
you take measurements. You don't need prior measurement history to obtain results. It's easy to use and doesn't require extensive training, or the expense and inconvenience of vibration consultants to interpret complex results. You don't have to wait for an analysis of the data. You'll get the answers you need when you need them.

- Confirm repairs after maintenance
- Commission new equipment and ensure proper installation
- Drive investments in repair or replacement with quantifiable proof of machine condition
- Train new or less-experienced technicians and build confidence and skill across the team

- Troubleshoot common mechanical problems
- Proactively plan repairs



**Breakthrough diagnostic technology**



The Fluke 810's diagnostic technology combines powerful algorithms with a database of real-world measurement experience, making the Fluke 810 the most advanced troubleshooting tool for mechanical maintenance teams.

Faults are identified by comparing the vibration data from your machine to an extensive set of rules gathered through real-world maintenance experience with similar machines. Unlike other complex vibration analyzers, the Fluke 810 doesn't require you to collect information over time and compare it to an established baseline. The unique diagnostic technology determines fault severity by simulating a fault-free condition and then instantly compares the incoming data. This means every measurement is compared to a "like new" machine.

*"The tool not only AGREED with my assessment of 'bearing wear' but revealed the ROOT CAUSE: shaft misalignment."*

Victor H.