

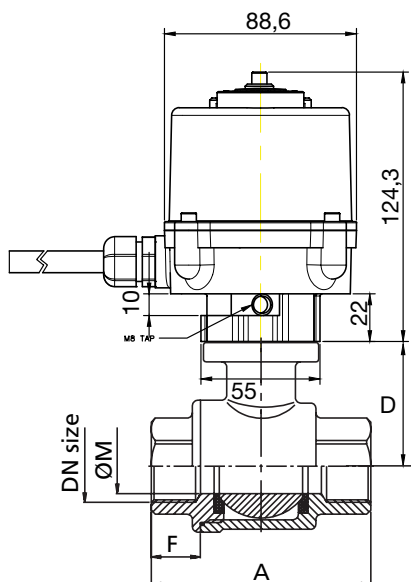
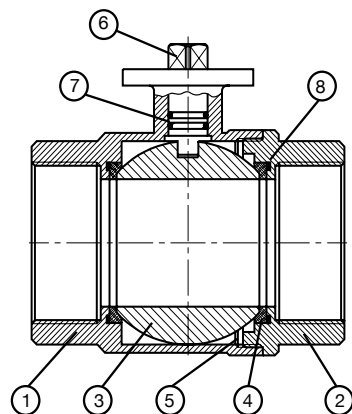
# Brass Ball Valve with Electric Actuator

40 BAR Rated



## Materials

Description	Material
1 Body	Hot pressed brass
2 End cap	Hot pressed brass
3 Ball	Brass chrome plated
4 Seat ring	P.T.F.E.
5 Body seal	P.T.F.E.
6 Stem	Brass
7 Stem ring	Viton*
8 O-ring	NBR 70



## Standard Specifications

Enclosure Rated	Weather proof IP67
Motor	24V DC Motor
Supplying Voltage	Multi-Voltage(85~265VAC or 24VDC)
Limit Switches	2 x open/close SPDT, 250 VAC 6A rating
Auxiliary Limit Switches	2 x open/close SPDT, 250 VAC 6A rating
Torque Switch	N/A
Travel Angle	90 degree
Indicator	LED lamp Indicator(Open/Close)
Heater	N/A
Manual Override	Push Button with Manual lever
Conduit Entries	1 X PG11 with 3m flying lead. 11 wires
Ambient Temperature	-20 ~ + 60
External Coating	Polyester Powder Coating
Base and Bore	ISO5211(F03/04/05) & 11mm Double Square

Model	Max. Torque (Nm)	Rated Current			Electric Motor Stop	Operating time	Bore Size	Base (ISO5211)
		110VAC	220VAC	24VDC				
HQ-003	30	0.12A	0.06A	0.46A	2.0A	12sec	11mm Star	F03/04/05

## Overall Dimensions

RS Part No.	Dia mm	Size ins.	Model	A	D	F	ØM
7605677	8	1/4"	HQ-003	65	29	17	11.5
-----	10	3/8"	HQ-003	65	29	17	15
7605680	15	1/2"	HQ-003	65	29	17	15
7605683	20	3/4"	HQ-003	75	32	19	20
7605687	25	1"	HQ-003	86	36	21	25
7605696	32	1 1/4"	HQ-003	95	41	22	32
7605699	40	1 1/2"	HQ-003	101	57	22	38
7605693	50	2"	HQ-003	120	64	25	47