
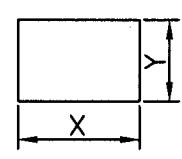
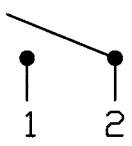
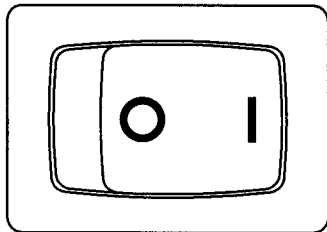
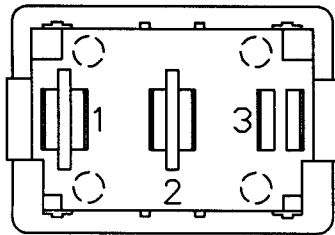
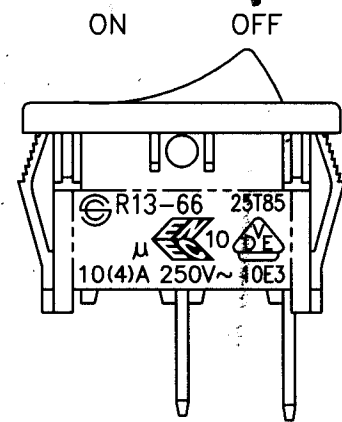
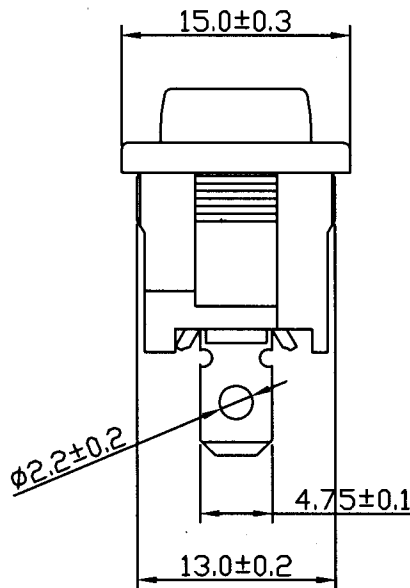
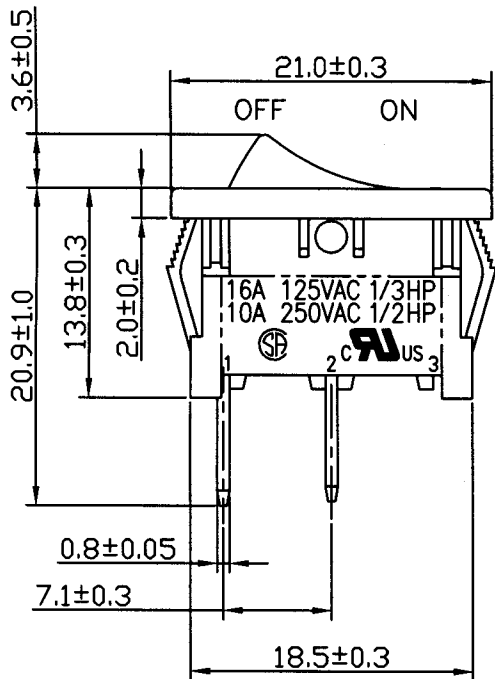



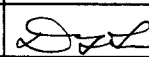

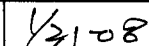
Rating	16A 125VAC 1/3HP 	Mounting Hole	Circuit Diagram	
	10A 250VAC 1/2HP			
Contact Resistance	50m ohm Max.			
Insulation Resistance	DC 500V 100M ohm Min.			
Dielectric Strength	AC 1500V 1 minute			
Operation Temperature	-25°C~85°C	Thickness	X	Y
Switch Function	2P SPST ON-OFF	0.75...1.25	19.2-0.1	13+0.1
		1.25...2	19.4-0.1	13+0.1
		2...3	19.8-0.1	13+0.1



Material:  
 Frame: Nylon#66, Black  
 Actuator: Nylon#66, Red  
 Printed: White, hot stamping



C8\R13\R13-66A-02(1820267)

						△	
						△	
Date	Name	Description				NO	
Drawn	Checked	Approved	SCI BOM NO.	1820267	Model Name	ROCKER SWITCH	
曹盈芳			Customer No.		Model No.	R13-66A-02	REV.
12/12/07			Unit	mm			0