

# Chrome Plated Brass Line Mounting Hydraulic Ball Valve G 1/2

RS Stock number **486-356**



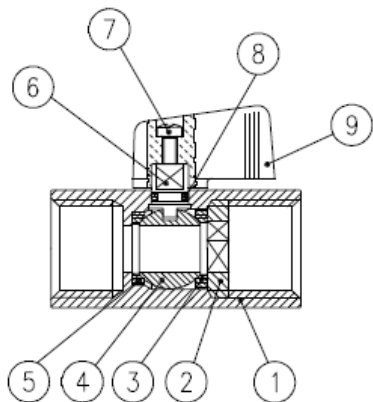
## Features and Specifications:

- \* Patent n. 7011-B/89,
- \* **One piece** drawn sand blasted brass body with extremely compact design,
- \* **Approved** by VTT (SF), GOST-R (RU), Hygenic (RU), ROSTEKHNADZOR (RU),
- \* Finest brass according to **EN 12164** specification,
- \* Each valve is seal tested for **maximum safety**,
- \* Pure PTFE self-lubricating seats with flexible-lip design,
- \* Dual sealing system allows valve to be operated in either direction making **installation easier**,
- \* Chrome plated brass ball for **longer life**,
- \* **No metal-to-metal** moving parts,
- \* **No maintenance** ever required,
- \* **Blowout-proof** brass stem with FPM O-ring,

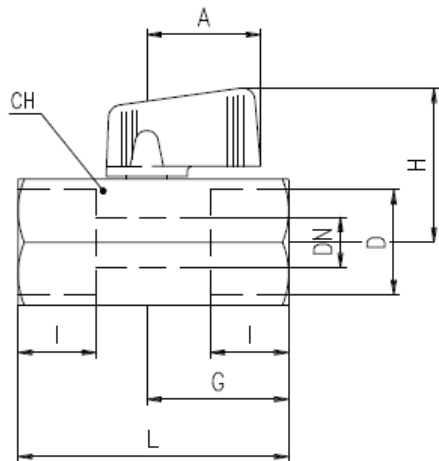
- \* Reinforced nylon black wedge handle removable with valve in service,
- \* Handle/stem clearly show **ball position**,
- \* **ISO 228** parallel threads,
- \* **Silicone-free** lubricant,
- \* 30 bar (Kg/cm<sup>2</sup>) non-shock cold working pressure,
- \* **-20°C +90°C temperature** (+120°C screw driver version and metal wedge handle).

## Options:

- \* **Male by Female** threads,
- \* **ISO 7/1 BSPT** Taper threads,
- \* **NPT taper ANSI B.1.20.1** threads,
- \* **Dezincification Resistant** brass CW602N,
- \* **Aluminum** body,
- \* Nylon wedge handle yellow, red or green,
- \* **Metal wedge handle** available in colours red, black, yellow, green, light blue, chrome plated,
- \* Grey wedge handle in **Grivory®** - high performing polymer,
- \* **Screw driver or wrench** operated,
- \* **Additional connection** options on demand.



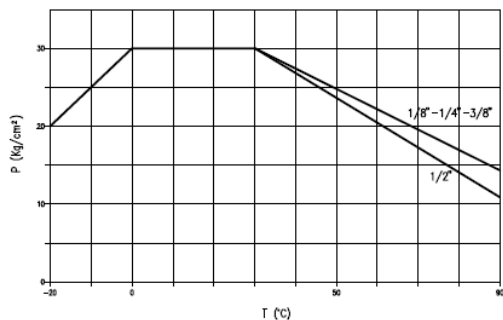
| PART DESCRIPTION     | Q.ty | Material               |
|----------------------|------|------------------------|
| 1 Chrome plated body | 1    | CW617N                 |
| 2 Retainer nut       | 1    | CW617N                 |
| 3 Retainer seat      | 1    | Ptfe                   |
| 4 Chrome plated ball | 1    | CW617N                 |
| 5 Body seat          | 1    | Ptfe                   |
| 6 Unplated stem      | 1    | CW617N                 |
| 7 Zinc plated screw  | 1    | CB4FF                  |
| 8 O-Ring             | 1    | FPM                    |
| 9 Black handle       | 1    | Nylon glass filled 30% |



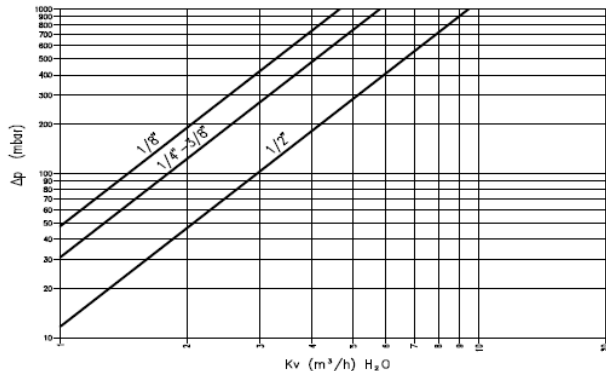
**PATENTED**

| Code     | S35AF0 | S35BF0 | S35CF0 | S35DF0 |
|----------|--------|--------|--------|--------|
| D (inch) | 1/8    | 1/4    | 3/8    | 1/2    |
| DN(mm)   | 6      | 8      | 8      | 10     |
| I (mm)   | 10     | 11     | 11     | 13     |
| L (mm)   | 41.5   | 41.5   | 41.5   | 49     |
| G (mm)   | 22     | 22     | 22     | 26     |
| A (mm)   | 22.5   | 22.5   | 22.5   | 22.5   |
| H (mm)   | 31     | 31     | 31     | 33     |
| CH(mm)   | 21     | 21     | 21     | 25     |

Pressure -Temperature chart



Pressure drop chart



| Code     | S35AM0 | S35BM0 | S35CM0 | S35DM0 |
|----------|--------|--------|--------|--------|
| D (inch) | 1/8    | 1/4    | 3/8    | 1/2    |
| DN (mm)  | 5      | 8      | 8      | 10     |
| I (mm)   | 10     | 11     | 11     | 13     |
| L (mm)   | 41.5   | 41.5   | 41.5   | 49     |
| G (mm)   | 22     | 22     | 22     | 26     |
| A (mm)   | 22.5   | 22.5   | 22.5   | 22.5   |
| H (mm)   | 31     | 31     | 31     | 33     |
| CH (mm)  | 21     | 21     | 21     | 25     |