

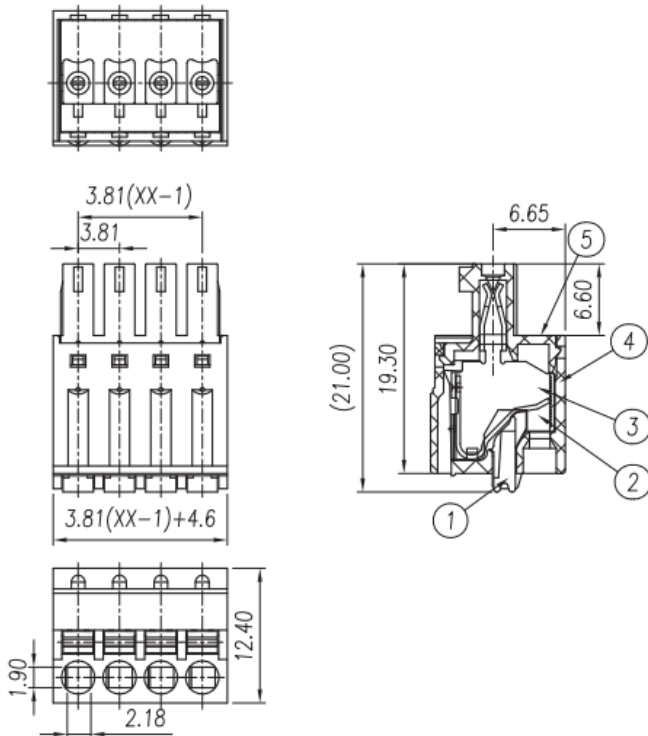
# Datasheet

## New 2.5mm Header Horizontal 4A 10 Way

RS Stock 874-5372



### Dimensions: (mm)





## Specifications

- Rated Voltage: 300V 8A
- Rated Current: 8A
- Pitch: 3.81mm
- Poles: 2~24p
- Contact Resistance: 20mΩ
- Insulation Resistance: 500ΩM or more at DC500V
- Wire Range: 28~16 AWG
- Withstanding Voltage: AC 2000V/1 min
- Strip Length: 7~8mm
- Temperature Range: -40°C ~ +105°C
- Torque: 0.4Nm (3.6Lb.in)
- RoHS Compliance

## Materials

- Housing: PA66 / UL94V-0
- Clamp: Phosphor bronze, Tin Plated
- Wire Guard: Stainless Steel

## Tolerances

	linear dimension					fillet	chamfer		∠	short angle sid			≡	—	□	//	⊥
	to	over	over	over	over		to	over		to	to	to					
variable range	6	6 to 30	30 to 120	120 to 480	480 to	all	6 to	6 to	10 to	10 to 50	50 to 120	120 to	all	5 to	5 to 30	30 to 120	120 to
tolerance	±0.1	±0.2	±0.3	±0.5	±0.9	±0.2	±0.5	±1	1°	30'	20'	10'	0.5	0.025	0.06	0.12	0.4