

## FEATURES

- Low noise levels
- PBT Thermoplastic casing
- Square orientation
- Can be mounted in a horizontal and vertical position

## RS PRO, 12 V dc, DC Axial Fan, 60 x 60 x 15mm, 27.2m<sup>3</sup>/h, 1.6W

RS Stock No.: 541-4959



RS Professionally Approved Products bring to you professional quality parts across all product categories. Our product range has been tested by engineers and provides a comparable quality to the leading brands without paying a premium price.

## Product Description

Brought to you by RS PRO, a range of AC dual ball bearing axial fans offering a cost-effective cooling solution without sacrificing on quality or reliability. Provided are a robust die-cast aluminium frame and an AC shaded pole impedance protected motor, these fans are ideal for a multitude of applications.

## General Specifications

<b>Air Flow</b>	27.2m <sup>3</sup> /h
<b>Fan Speed</b>	4500rpm
<b>Noise Level</b>	33dB
<b>Direction of Curve</b>	Backwards
<b>Frame</b>	PBT, ULV94-0 Thermoplastic
<b>Impeller</b>	PBT, ULV94-0 Thermoplastic
<b>Alarm Function</b>	Yes
<b>Special Features</b>	Tachometer
<b>IP Rating</b>	IP44
<b>Applications</b>	Server racks, Electrical cabinets and enclosures; Production Lines, Ceiling fan/ventilation Desktop computers, Motor engines (radiator in a car), Generators, Air compressors

### Electrical Specifications

<b>Motor</b>	Brushless DC, locked rotor protected, Auto Restart, Polarity Protected
<b>AC or DC Operation</b>	DC
<b>Power Consumption</b>	1.6W
<b>Supply Voltage</b>	12VDC
<b>Maximum Current</b>	90mA
<b>Insulation Resistance</b>	Min.10M ohm at 500VDC

### Mechanical Specifications

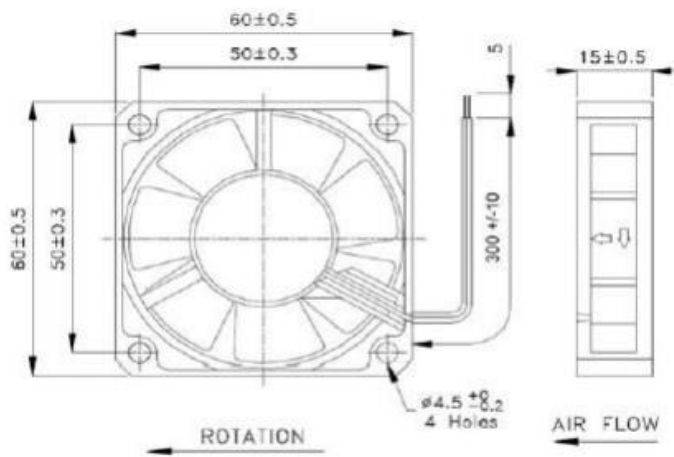
<b>Dimensions</b>	60mm x60mm x15mm
<b>Height</b>	60mm
<b>Width</b>	60mm
<b>Depth</b>	15mm
<b>Bearing Type</b>	Ball
<b>Life Expectancy</b>	60,000 hours (L10)

### Operation Environment Specifications

<b>Operating Temperature</b>	-10°C to 70°C
------------------------------	---------------

### Approvals

<b>Compliance/Certifications</b>	UL, cUL, TUV, CE, UL94-V0
----------------------------------	---------------------------

**Drawing(mm):**

\*Drawing for Dimensional Reference Only

RS Part Number	Orion Part Number	Speed (RPM)	Airflow (CFM)	Noise (db)	Volts (DC)	Voltage Range	Current (Amps)	Lead Type
5414959	OD6015-12HB	4500	16	33	12	6~13.8	0.13	Wire
5414937	OD6015-12MB	3900	14	28.8	12	6~13.8	0.11	Wire
5414921	OD6015-12LB	3500	12	27	12	6~13.8	0.09	Wire
5415205	OD6015-24HB	4500	16	33.3	24	12~28	0.09	Wire
5415198	OD6015-24MB	3900	14	30.7	24	12~28	0.07	Wire
5415182	OD6015-24LB	3500	12	27.2	24	12~28	0.05	Wire