

Datasheet

RS PRO NYLON-INSULATED RING

TERMINALS

Stock number: 178-8641

MAXIMUM ELECTRIC CURRENT:

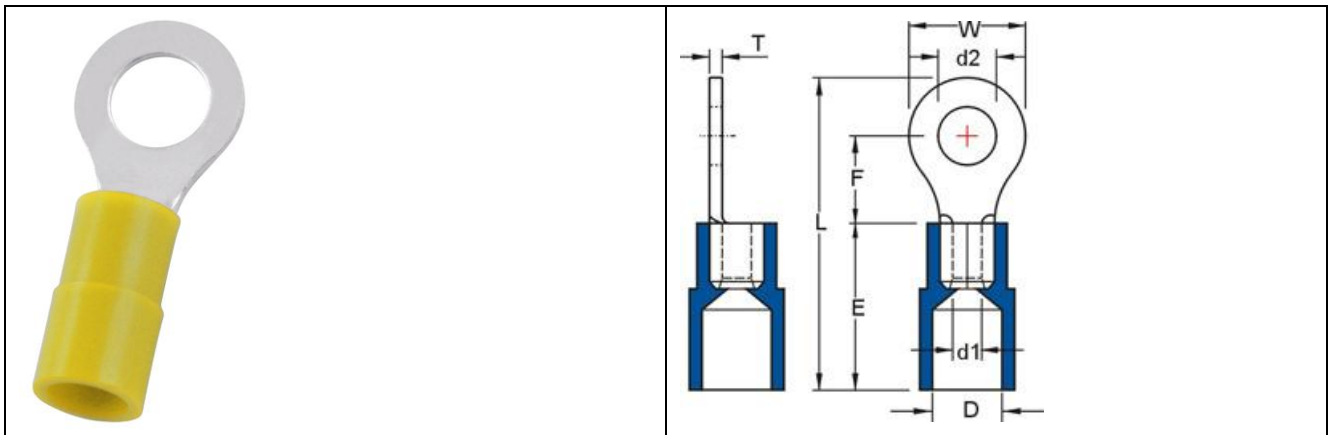
A.W.G.	12	10
AMP.	35	50

MAXIMUM ELECTRICAL RATING: 105° C 600 VOLTS MAX.

INSULATION MATERIAL: NYLON

TERMINAL MATERIAL: COPPER

INSULATION COLOR: YELLOW



WIRE RANGE A.W.G. mm ²	ITEM NO. BUTTED SEAM	STUD SIZE #8	DIMENSION inch(mm)							
			d2	W	F	L	E	D	d1	T
12-10 A.W.G.	178-8641	#8	0.169	0.374	0.327	1.024	0.512	0.252	0.134	0.039
4-6 mm ²			4.3	9.5	8.3	26	13	6.400	3.4	1