

## FEATURES

- Identify signals or voltages easily
- Terminal colours match incoming cables
- Three phase systems are always wired consistently

# RS PRO, 800 V Standard Din Rail Terminal

RS Stock No.: 501-803



RS Professionally Approved Products bring to you professional quality parts across all product categories. Our product range has been tested by engineers and provides a comparable quality to the leading brands without paying a premium price.

## Product Description

RS Pro standard DIN rail terminal in grey colour, identifies signals or voltages easily. It has a current rating of 32 A and supports wire size of 0.2 to 4 mm<sup>2</sup>. The DIN rail terminal meets UL, NEMKO, GOST and CSA standards.

## General Specifications

<b>Colour</b>	Grey
<b>Number of levels</b>	Single
<b>Application</b>	Circuit boards and control panels for industrial electronics

## Electrical Specifications

<b>Current rating</b>	32A
<b>Voltage rating</b>	800V

## Mechanical Specifications

<b>Wire size</b>	0.2mm <sup>2</sup> to 4mm <sup>2</sup>
<b>Cable CSA</b>	0.2mm <sup>2</sup> to 4mm <sup>2</sup>
<b>Dimensions</b>	48mm x 6mm x 47mm

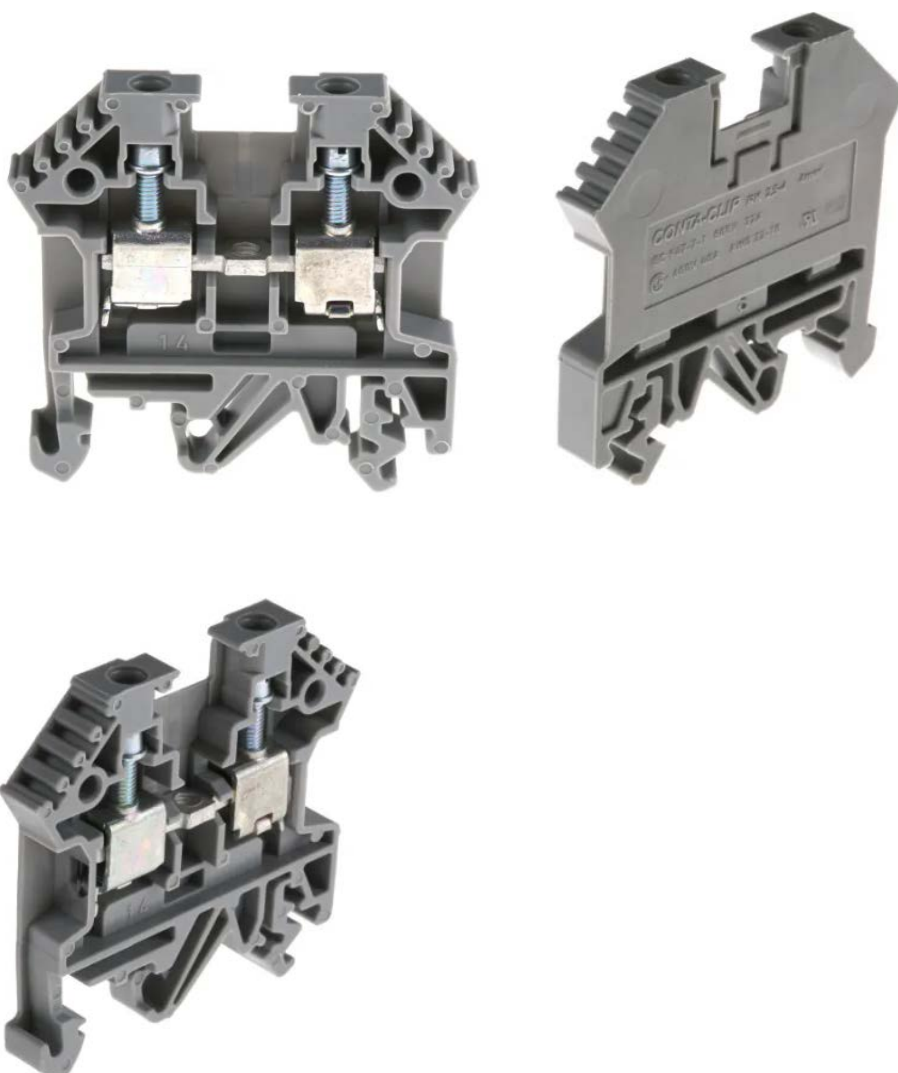
## Operation Environment Specifications

<b>Minimum operating temperature</b>	-40°C
<b>Maximum operating temperature</b>	105°C

## Approvals

Standard met

UL, CSA, NEMKO, GOST



Accessories for RS	501803	
	RS Part No	Description
End Cover	815688	End Plate for 2.5-10mm Terminals
Pre Assembly Bar	815795	4mm 10 Way Cross Connectors 27Amps
Markers	501623	6mm wide blanks for 6mm + terminals
	501629	6mm wide numbered 1-50 markers
	501679	6mm numbered 51-100 markers
Also available in	815666	2.5-4mm Terminal Beige
	815672	2.5-4mm terminal Blue
	501720	4mm din rail terminal brown
	501645	4mm din rail terminal black
	501803	4mm din rail terminal grey
	501932	4mm din rail terminal white
	501651	4mm din rail terminal orange
	501663	4mm din rail terminal yellow
	501673	4mm din rail terminal red