

FEATURES

- Dual piston
- 3-way mounting
- Compact
- Precise movement

RS PRO

Slide Cylinder

RS Stock No.: 2351131



Product Description

Part No.	Bore	Stroke
2351131	12 mm	30 mm

Features

- Precise movement
- Compact design
- 3-way mounting options
- Strong guiding design with high concentricity
- Rubber bumpers

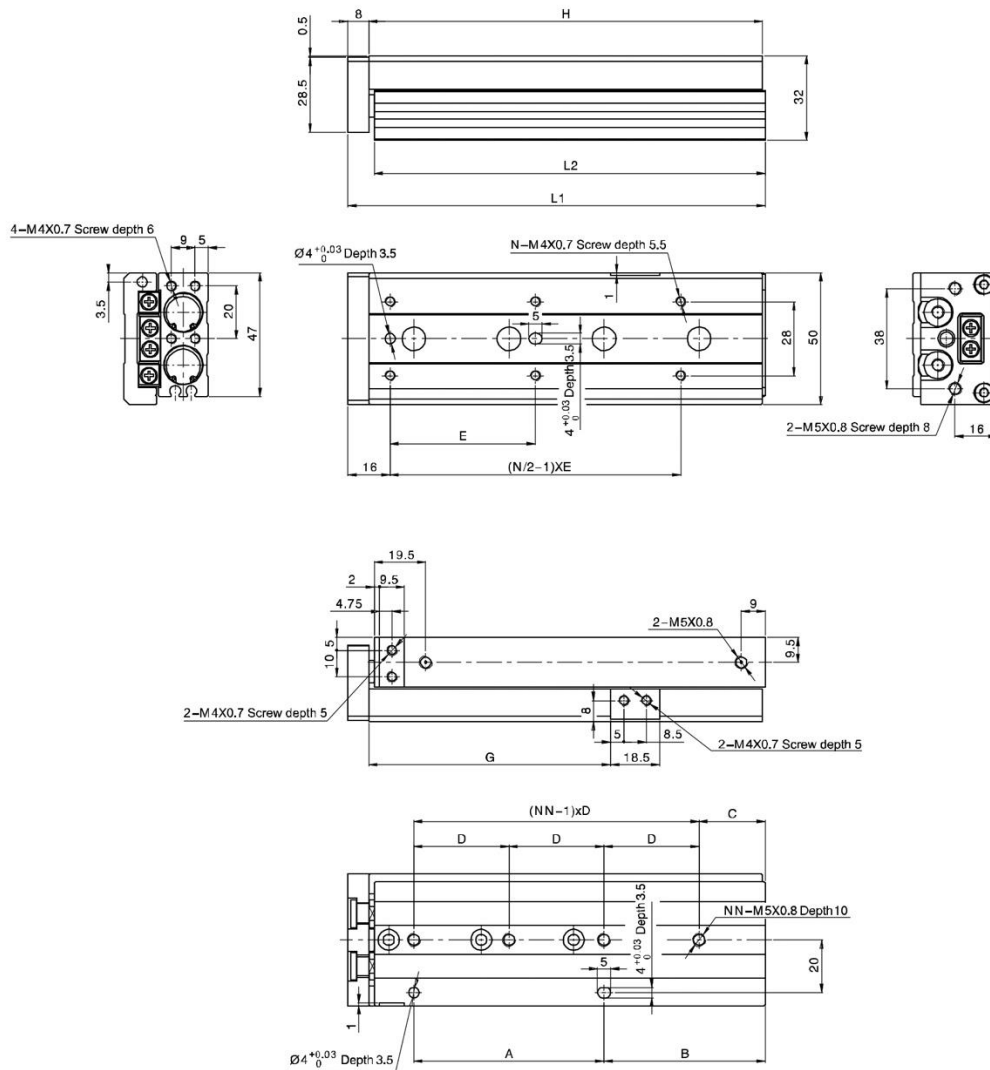
General Specifications

Cylinder type	Double acting
Max. working pressure	0.15-0.7 MPa
Operating temperature	-20°C to +80°C (dry air)
Speed range	50 to 500 mm/s
Bore	Ø 12 mm
Stroke	30 mm
Cushioning	Rubber cushioned, shock absorber cushion

Materials

Piston rod	Stainless steel
Seals	NBR

Dimensions



Stroke/Sign	A	B	C	D	E	G	H	L1	L2	N	NN
30	40	15	15	40	35	46.5	71	80	70	4	2

Similar Products

Part No.	Bore	Stroke
2351132	12 mm	50 mm
2351133	8 mm	20 mm