

# Datasheet

## 3PDT Non-Latching Relay, 12 A, 24V dc

RS Stock number 613-3617



- Large capacity 12A of general purpose relay.
- SPDT/SPNO and DPDT/DPNO contact arrangement 3PDT contact arrangement.
- Epoxy sealed relays: (Optional) L.E.D. status lamp: Shows coil "ON" or "OFF" status, Ideal in low light conditions. DC: bi-polar L.E.D.
- Push button: Allows for manual operation of relay without the need for coil power.
- Ideal for field service personnel to test control circuits.
- UL pending.

Contact rating :

|  |        |            |
|--|--------|------------|
|  |        | BLY3-3C    |
| Contact capacity resistive load (Cos. = 1) |        | 12A 28VDC  |
|  |        | 12A 240VAC |
| Motor                                      | 120VAC | 1/3HP      |
|  | 240VAC | 1/2HP      |

Specifications :

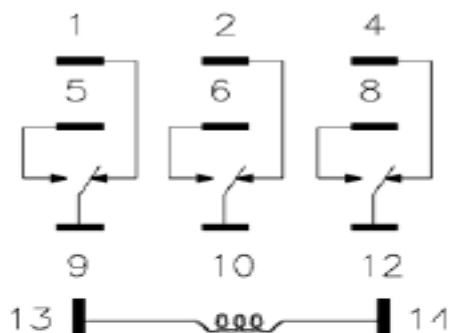
|                         |   |
|-------------------------|---|
| Contact resistance      | 50mΩ Maximum                                |
| Operate time            | 25mS maximum                                |
| Release time            | 25mS maximum                                |
| Insulation resistance   | 100MΩ minimum at 500VDC                     |
| Dielectric strength     | Between open contact: 1000 VAC for 1 minute |
|                         | Coil to frame: 2200 VAC for 1 minute        |
|                         | Contact to coil: 2200 VAC for 1 minute      |
|                         | Pole to pole: 2200 VAC for 1 minute         |
| Temperature (operating) | -45 °C to +55 °C(AC); -45 °C to +70 °C(DC)  |
| Mechanical life         | 10,000,000 operations                       |
| Electrical life         | 100,000 operations                          |
| Contact material        | AgNi10                                      |
| Weight (approx.)        | 58g   |

Coil rating :

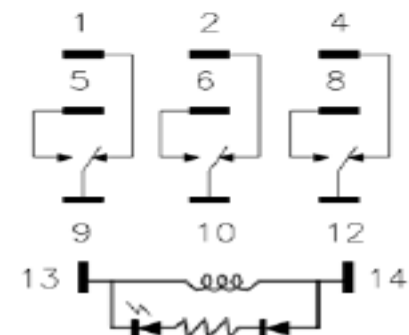
| Rated Voltage (V) |    | Coil resistance (Ω) | Max. pull-in Voltage | Min. dropout voltage | Max. allowable Voltage | Power Consumption |               |
|-------------------|----|---------------------|----------------------|----------------------|------------------------|-------------------|---------------|
|                   |    |                     |                      |                      |                        |                   | ± 10% at 25°C |
| DC                | 3C | 6                   | 25                   | 75 Max.              | 10 Min.                | 110 Max.          | Approx. 1.5W  |
|                   |    | 12                  | 100                  |                      |                        |                   |               |
|                   |    | 24                  | 400                  |                      |                        |                   |               |
|                   |    | 48                  | 1600                 |                      |                        |                   |               |
|                   |    | 110                 | 8500                 |                      |                        |                   |               |
| AC                | 3C | 6                   | 6                    | 85 Max.              | 30 Min.                | 110 Max.          | Approx. 2.5VA |
|                   |    | 12                  | 25.3                 |                      |                        |                   |               |
|                   |    | 24                  | 103                  |                      |                        |                   |               |
|                   |    | 48                  | 460                  |                      |                        |                   |               |
|                   |    | 110                 | 2200                 |                      |                        |                   |               |
|                   |    | 120                 | 2770                 |                      |                        |                   |               |
|                   |    | 220/230             | 10800                |                      |                        |                   |               |
|                   |    | 240                 | 12100                |                      |                        |                   |               |

Wire diagrams :

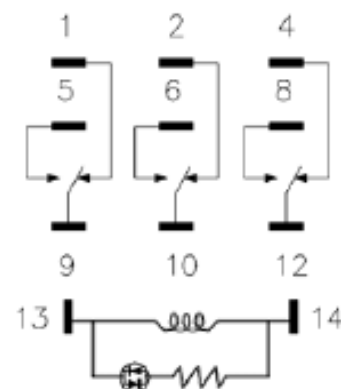
Standard styles



AC styles(with LED)

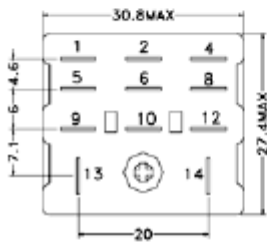
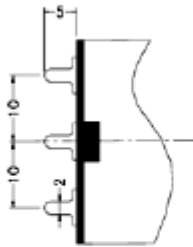


DC styles(with LED)

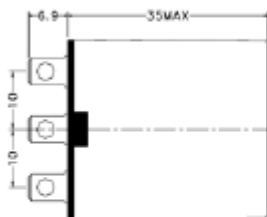


Dimensions :

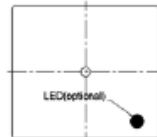
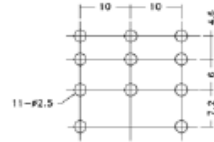
Plain cover style:P.C.B terminal (Code P)



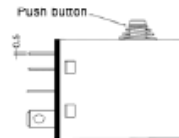
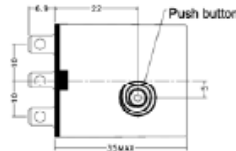
Solder (plug-in) terminal (Code S)



Printed circuit board layout



With push button:



How to order :

**BLY3-3C-S L M -24VDC**

Coil voltage

Options

M: Manual test button

L: Indicator lamp

Construction style

S: Solder (plug-in) terminal

P: P.C.B terminal

Contact arrangement

3C: 3PDT

Series