



ENGLISH

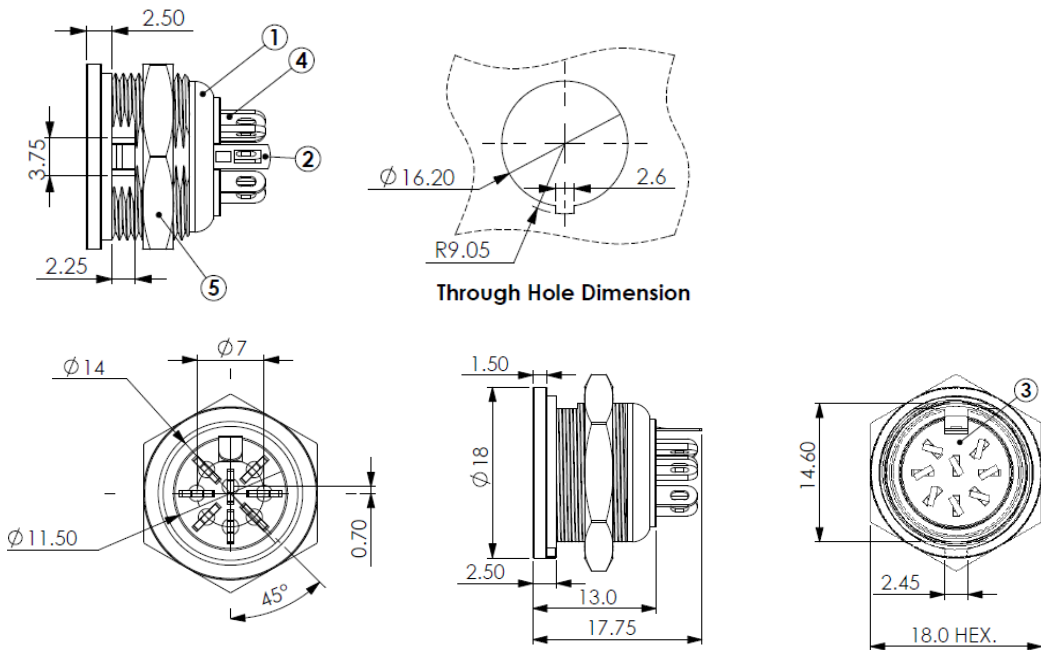
Datasheet

8 Pole Female Straight DIN Connector

RS Stock number [490-995](#)



Drawing (mm):



Specifications:

rating :

100V AC 4A MAX

contact resistance :

pins-30m Ω MAX; shell-50m Ω MAX

insulation resistance :

MIN 100 MEG Ω @500V DC

voltage withstand :

250V AC R.M.S. for 1 minute