

## Product Datasheet

# SCSI Ultra 320 HPDB68 M/M

Cable, Screw type

RS Stock No. 8011162

RS Stock No. 8011193

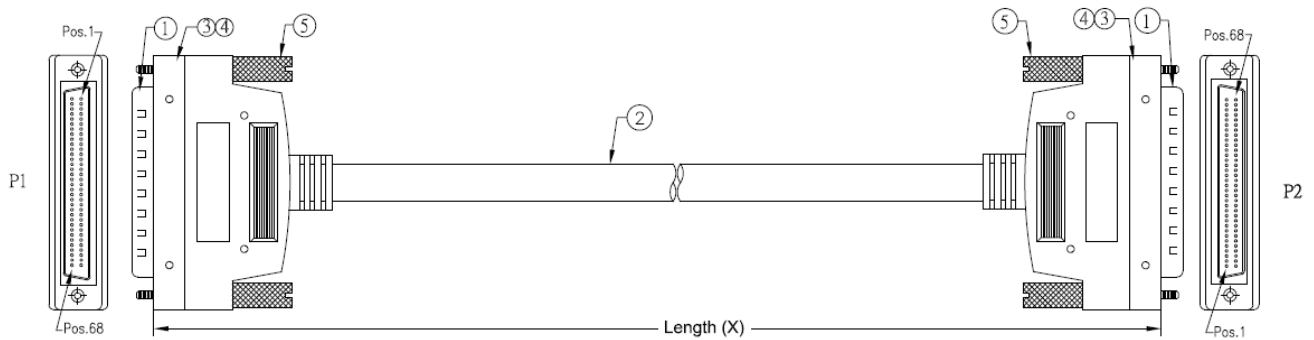
RS Stock No. 8011184



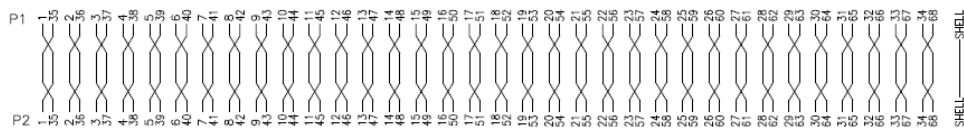
### ELECTRICAL SPECIFICATIONS

1. Rating: Temp 80°C Voltage 30V
2. Conductor Resistance: AT 20°C MAX.  
30AWG:376.96.  $\Omega$ /KM
3. Impedance Resistance: 10M  $\Omega$ /km min  
at 20°C dc 500V
4. Dielectric Strength: AC 500V/1 minute.

**SPECIFICATION**



**PIN ASSIGNMENT:**



| Part No | Length(X) |
|---------|-----------|
| 8011162 | 1000±30   |
| 8011193 | 2000±50   |
| 8011184 | 3000±50   |

| 5    | 4   | EA  | M2.6 All Metal Thumbscrew.  |
|------|-----|-----|---|
| 4    |     | MM  | Copper Foil 360° Soldered   |
| 3    |     | KG  | Molded 40P PVC Color:Black(BK01).   |
| 2    | 1   | EA  | UL2919 30AWG 34TW/PR,Al/Mylar+Drain<br>+Braid, Color:Black(BK01).                             |
| 1    | 2   | EA  | HPDB68 Male, Pitch1.27mm, Shell: Tin Plated<br>Contact:Gold 10U",Insulation:Black,PBT UL94V-0 |
| ITEM | QTY | U/M | DESCRIPTION   |

Package:

1pcs/PE bag

