

FEATURES

- Quick and easy to install
- 2m length
- Ideal for clean cable management.
- Open and narrow slotted available in this range
- Breakpoints on bars and channel floor
- Self-adhesive tape

RS PRO Grey Slotted Panel Trunking - Open Slot, W50 mm x D75mm, L2m, PVC

RS Stock No.: 136-9154



RS Professionally Approved Products bring to you professional quality parts across all product categories. Our product range has been tested by engineers and provides a comparable quality to the leading brands without paying a premium price.

Product Description

From the great value brand RS PRO, comes a range of high-quality grey slotted cable trunking. Manufactured out of lead-free and flame-retardant PVC this rigid trunking has been designed to allow the user to fix it to the area it will be applied to, allowing for a simple yet effective installation and secure cable organisation

General Specifications

Trunking/Chain Type	Slotted Panel Trunking
Material	PVC
Colour	Grey
Fire Behaviour	Self-extinguishing
UV Resistance	PVC is conditionally permanent to UV- light, changes in colour under UV light cannot be excluded
Type of Fastening	Self-adhesive
Angle	90°
Applications	Electrical workshops, Offices and indoor work spaces, Schools, Hospitals and Hotels

Mechanical Specifications

Length	2m
Width	50mm
Depth	75mm
Slot Type	Open
Dielectric Strength	>30kV/mm

Operation Environment Specifications

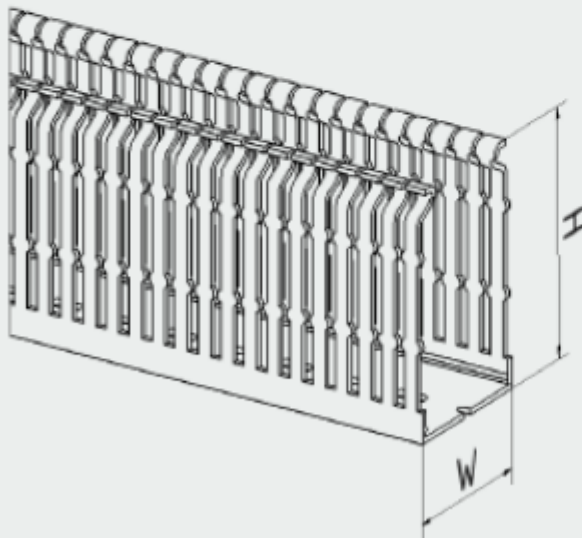
Operating Temperature Range	Dynamic: -20°C to 60°C (permanently) , -30°C to 75°C(briefly)
Maximum Service Temperature	>0°C

Approvals

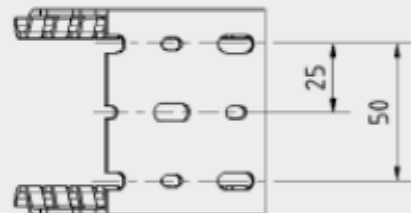
Standards Met	CE, CULus Recognised, DIN EN50085, EN45545 HL2, GL, VDE 0472
----------------------	--

Dimension:

DIN	Height (H) mm	Width (W) mm					
		25	37,5	50	75	100	150
	25	25					
	37,5	25	37,5	50			
	50	25	37,5	50	75	100	
	75	25	37,5	50	75	100	125
	100			50	75	100	150



Width 75 upwards



Up to width 50

