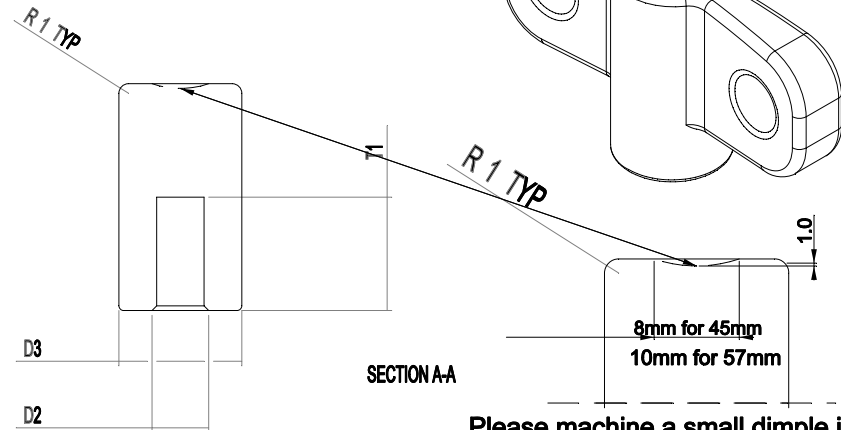
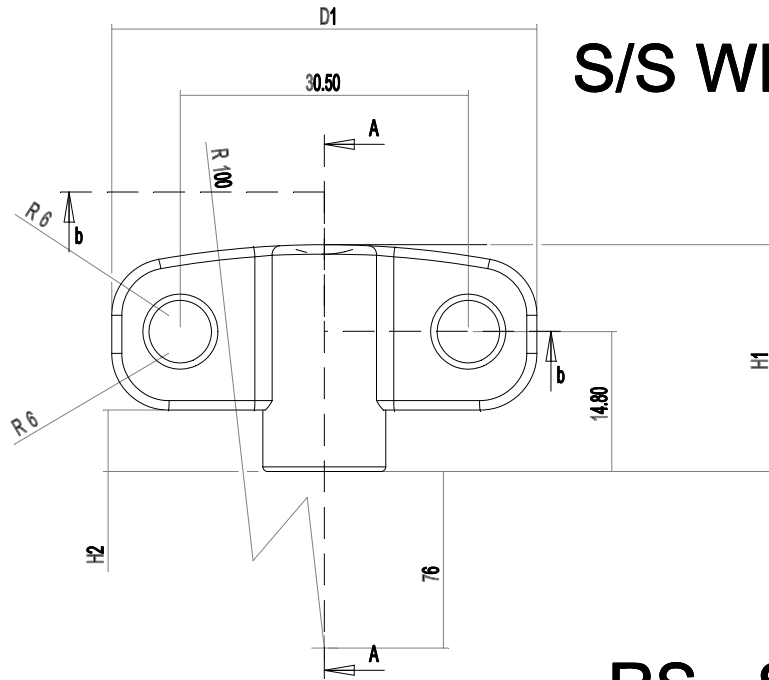
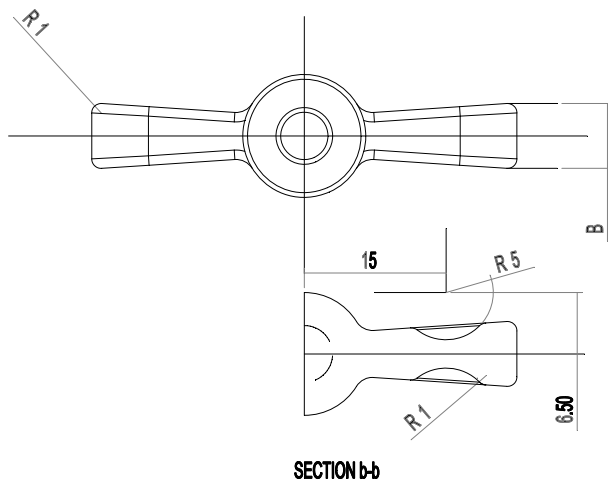


S/S WING KNOB



Please machine a small dimple into the top face to these dimensions

RS - Style A



| D1 | D2 | D3 | D4 | B | H1 | H2 | T1 | T2 | RS PART No |
|----|-----|----|-----|---|----|-----|----|----|------------|
| 45 | M6 | 13 | 6.5 | 7 | 24 | 5.5 | 12 | | 237738 |
| 45 | M8 | 13 | 6.5 | 7 | 24 | 5.5 | 12 | | 237700 |
| 57 | M10 | 16 | 8.5 | 8 | 28 | 6.5 | 15 | | 237716 |
| 57 | M8 | 16 | 8.5 | 8 | 28 | 6.5 | 15 | | 237722 |



UNLESS OTHERWISE SPECIFIED:
DIMENSIONS ARE IN MILLIMETERS

TOLERANCES: GD
 ± 0.1
 ± 0.2
 ± 0.5
 ± 0.25

DATE 27/3/08

FINISH:
 FUR AND BREAK
 SHARP EDGES

TITLE:

WING KNOBS S/S

MATERIAL:

DWG NO.

A3

SCALE: 2:1

SHEET 1 OF 1 ISSUE 4

DO NOT SCALE DRAWING / THIRD ANGLE PROJECTION