

Datasheet

RS Pro Manual Ball Valve Carbon Steel 2 in BSPP

RS Stock No: **764-4231**



Product Details

RS Pro carbon steel manual ball valve has a screwed end ball for flow control. This ball has 2 in BSPP thread size for external connection. It is available in various sizes.

Features and Benefits

- Investment casting
- Blow-out proof stem
- Locking device
- ISO 5211 mounting pad
- Thread type: ASME B1.20.1 (NPT) DIN2999 and BS21 ISO7/1 and EN10226
- Length conform to DIN 3202/4-M3-2013SM3 (option)

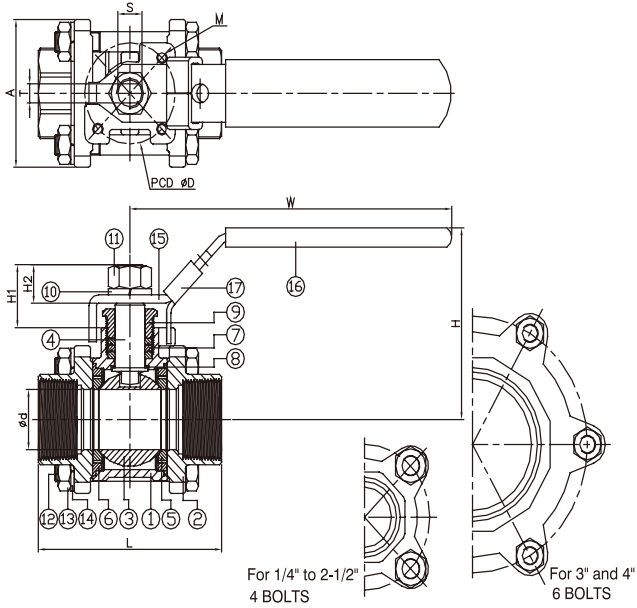


ENGLISH

Specifications:

Attachment Type	Threaded
Ball Material	Stainless Steel
Body Material	Carbon Steel
Handle Colour	Blue
Handle Material	Stainless Steel
Safe for Use With	Gas, Oil, Water
Thread Standard	BSPP
Threaded Connection	2 in BSPP
Type	Full Port
Thread Size	2 in
Maximum Working Pressure	1000 psi
Operating Temperature Range	-20 to +200°C

ITEM	PARTS	MATERIAL
1	BODY	ASTM A351-CF8M ASTM A216-WCB
2	CAP	
3	BALL	ASTM A351-CF8M
4	STEM	ASTM A276-316
5	SEAT	PTFE / RTFE
6	DEAL	PTFE
7	PACKING	
8	THRUST WASHER	
9	GLAND NUT	
10	SPRING WASHER	
11	STEM NUT	AISI 304
12	BOLT	
13	NUT	
14	SPRING WASHER	
15	HANDLE	PVC
16	HANDLE SLEEVE	
17	LOCKING DEVICE	AISI 304



DN	d	L	H	W	D	A	M	S	T	H1	H2	ISO 5211	Torque (N-M)	Weight (kg)
8	11.6	65	58.5	100	36	39.9	M5	3/8"-24UNF	5	19.3	13.5	F03	7.5	0.4
10	12.5	65	58.5	100	36	39.9	M5	3/8"-24UNF	5	19.3	13.5	F03	7.5	0.4
15	15	65	62	100	36	46.7	M5	3/8"-24UNF	5	19.4	13.5	F03	7.5	0.5
20	20	75	62	125	36	52.2	M5	7/16"-20UNF	6.5	22.4	16	F03	7.5	0.7
25	25	85	77	149	42	58.2	M5	7/16"-20UNF	8	25.6	16.2	F04	12.5	1
32	32	101	82	149	42	69.6	M5	7/16"-20UNF	8	25.6	16.2	F04	15	1.7
40	38	112	100	190	50	77.8	M6	1/2"-20UNF	10	29.7	20	F05	20	2.4
50	50	130	108	190	50	90.1	M6	1/2"-20UNF	10	29.7	20	F05	25	3.5
65	63	162	137	250	70	114.6	M8	3/4"-10UNC	12	39.4	27.5	F07	64	6.7
80	76	188	145	250	70	168.7	M8	3/4"-10UNC	12	39.4	27.5	F07	85	9.8
100	96	224	179	323	102	215.4	M10	1"-8UNC	16	53.7	39.8	F10	95	19.2

unit:mm

NPS	d	L	H	W	D	A	M	S	T	H1	H2	ISO 5211	Torque (in-lb)	Weight (lb)
1/4"	0.46	2.56	2.3	3.94	1.42	1.57	M5	3/8"-24UNF	0.2	0.76	0.53	F03	66.4	0.8
3/8"	0.49	2.56	2.3	3.94	1.42	1.57	M5	3/8"-24UNF	0.2	0.76	0.53	F03	66.4	0.8
1/2"	0.59	2.56	2.44	3.94	1.42	1.84	M5	3/8"-24UNF	0.2	0.76	0.53	F03	66.4	1.1
3/4"	0.79	2.95	2.44	4.92	1.42	2.06	M5	7/16"-20UNF	0.26	0.88	0.63	F03	66.4	1.6
1"	0.98	3.35	3.03	5.87	1.65	2.29	M5	7/16"-20UNF	0.31	1.01	0.64	F04	110.6	2.3
1-1/4"	1.26	3.98	3.23	5.87	1.65	2.74	M5	7/16"-20UNF	0.31	1.01	0.64	F04	132.8	3.6
1-1/2"	1.5	4.41	3.94	7.48	1.97	3.06	M6	1/2"-20UNF	0.39	1.17	0.79	F05	177	5.3
2"	1.97	5.12	4.25	7.48	1.97	3.55	M6	1/2"-20UNF	0.39	1.17	0.79	F05	221.3	7.7
2-1/2"	2.48	6.38	5.39	9.84	2.76	4.51	M8	3/4"-10UNC	0.47	1.55	1.08	F07	566.4	14.8
3"	2.99	7.4	5.71	9.84	2.76	6.64	M8	3/4"-10UNC	0.47	1.55	1.08	F07	752.3	21.6
4"	3.78	8.82	7.05	12.72	4.02	8.48	M10	1"-8UNC	0.63	2.11	1.57	F10	840.8	42.3

unit:in