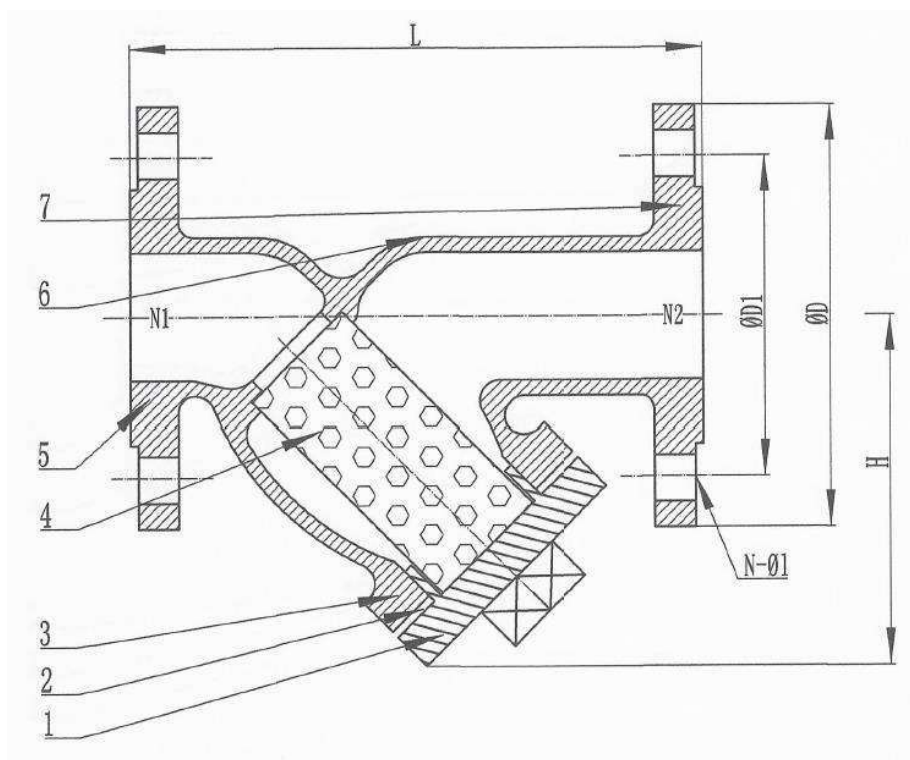


ANSI 150# Cast Steel Flange End Y-Strainers

Features

- Size: 1" – 4" (DN25 - DN100)
- ANSI 150# Flange connection
- Working Pressure: 150#
- Material: Cast Steel
- Temperature Range: -29°C to 150°C
- Screen: 1.0mm (Mesh Size 40)
- Applicable Medium: General oil, gas & water applications
- Used to collect containment and particles



Technical Specifications

1. Basic design and manufacture according to ASME B16.34.
2. Flange connection per ASME B16.5.
3. Inspection and tested according to API 598.

Main Technical Parameter			
Normal pressure		150	LB
Test pressure	Shell test pressure	3.0	MPa
	Seal test	-	
	Gas test	-	
Max working temperature		-29 to 150	°C
Applicable Medium: General oil, gas & water			