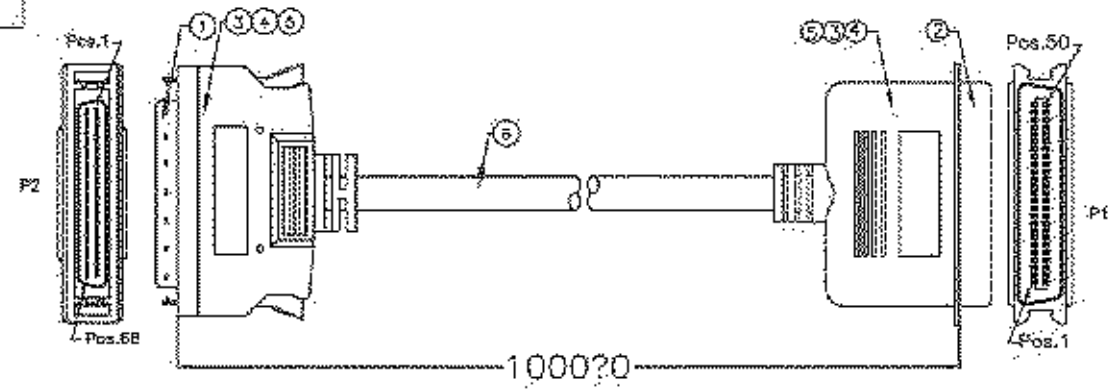


TOOLING NO:
 CN50: 950648
 HPPDB68M: 950863

REVISIONS			
DATE	LTR	DESCRIPTION	APVD



Specifications
 Shielding: 100% of Mylar Foil
 Current Rating: 500mA max
 Working voltage: 30V/DC max
 Temperature Rating: 80°C

PIN ASSIGNMENT :

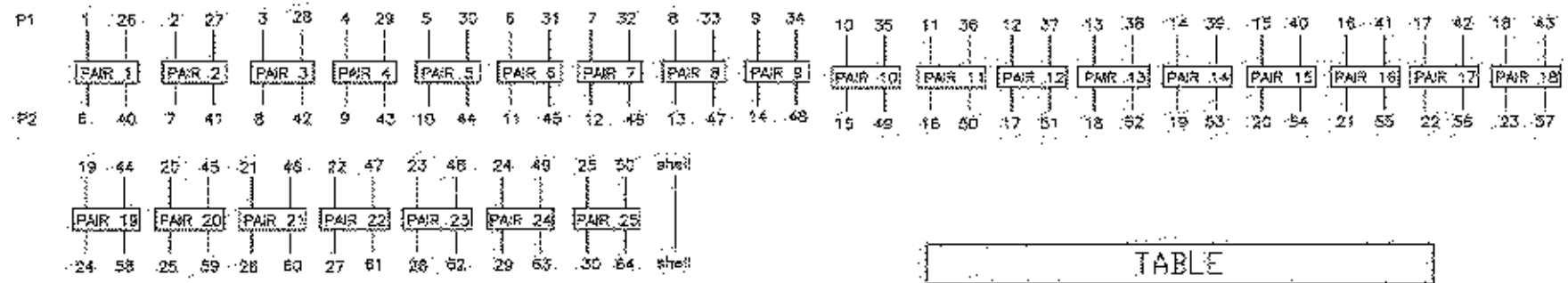


TABLE	
Part No	Length(X)
182-3977	1000±25
CC50ME68M28500033AM-01E	
182-3999	3000±50
CC50ME68M28500100AM-01E	



6	1	M	W90HBE25PXXXX01	UL2990 28AWG*25TW/PR+AL/Foil+Drain +Braid Jacket: Beige Color.
5		mm	2-1487213-9	Copper Foil 350" Soldered.
4		KG	8-1487208-5	Inner Molded PE.
3		KG	0-1487209-5	Overmolded PVC, Color: Beige
2	1	EA	6-1487179-1	CN50 Male, Contact: Gold Flash, Solder Type, Shell: Nickel Plated, Insulation: Black, PBT UL94V-0
1	1	EA	contact	HPDB68 Male, Contact: Gold 10U" Plated, Shell: Nickel Plated, Insulation: Black, Pitch 1.27mm, W/Spring. Latch, Steel Nickel Plated, PBT UL94V-0

UNLESS OTHERWISE SPECIFIED,
 TOLERANCE :
 X .±0.2 ANGLES : ±2°
 X.X ±0.1
 X.XX ±0.05. DO NOT SEAL DRAWING

DRAWN BY	Zhangjing	TITLE	HPDB68 Male To CN50 Male	
CHECKED BY	<i>[Signature]</i>	SIZE	A4	PART NO. 182-39XX
APPROVED BY	<i>[Signature]</i>	SCALE	1:1	THIRD ANGLE PROJECTION
DWG NO.	DEWJ2001050901X0	DATE	68/17/2001	PAGE 1 OF 1

ITEM	QTY	U/M	PART NO.	DESCRIPTION
------	-----	-----	----------	-------------