

Datasheet

RS PRO VINYL-INSULATED (MOLDED EASY ENTRY) DIN RING TERMINALS

Stock number: 178-7270

MAXIMUM ELECTRIC CURRENT:

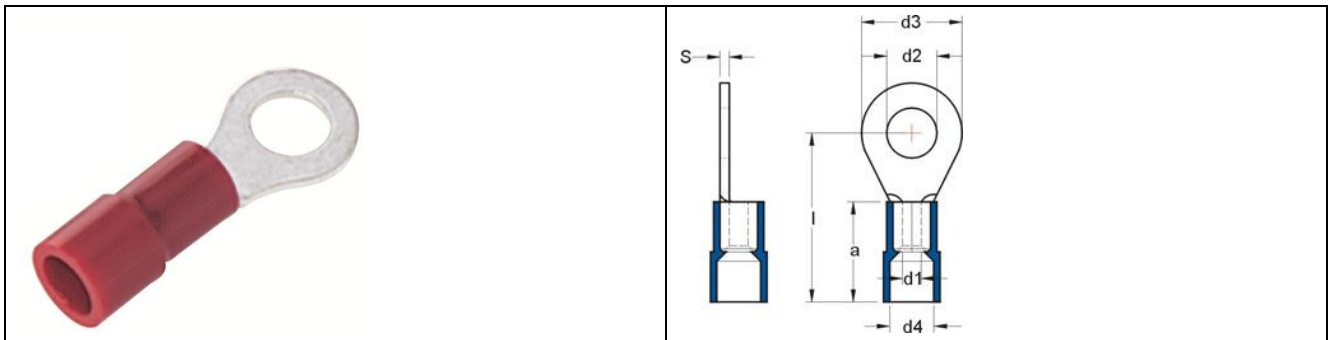
A.W.G.	22	20	18	16
AMP.	9	12	17	18

MAXIMUM ELECTRICAL RATING: 105° C 600 VOLTS MAX.

INSULATION MATERIAL: VINYL (PVC)

TERMINAL MATERIAL: COPPER

INSULATION COLOR: RED



WIRE RANGE A.W.G. mm ²	ITEM NO.	STUD SIZE		DIMENSION (mm)					
		B	d2	D3	I	d1	D4	A	S
22-16 A.W.G. 0.5-1.5 mm ²	<input type="checkbox"/> 178-7270	#8	4.3	8	18	1.6	4	11	0.8