



ENGLISH

Datasheet
Stock No: 534-884

RS Pro Closed End Wire Splice Connector, Clear, Insulated, Tin Plated 2.5 → 6 mm²



Product Details

6.3mm Male to Male Adaptor

A transparent PVC cover which incorporates a double tinned brass in blade.

L.31 D.11 H.9

RS Pro Range

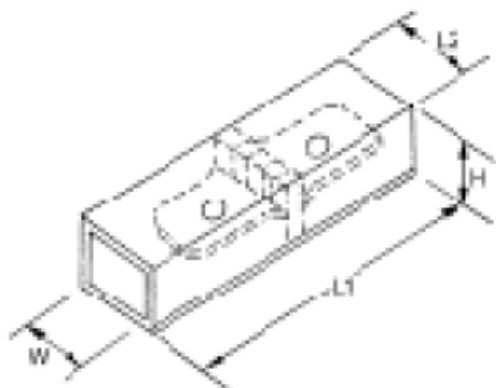
Conversion table	
M3 / 6 BA	M5/ 2BA
M3.5/ 4BA	M6/ 0BA
M4/ 3BA	

Wire Sizes	
Mini Yellow	0.2 - 0.5 mm ²
Red	0.5 - 1.5 mm ²
Blue	1.5 - 2.5 mm ²
Yellow	2.5 - 6.5 mm ²

Technical Specification	
Temperature rating	+70°C
Body Material	Copper
Body Plating	Tin

Specifications:

Adapter Type	Male Adapter to Male Adapter
Tab Size	6.3 x 0.8mm
Body Material	Brass, Vinyl
Tab Thickness	0.8mm
Tab Width	6.3mm



DIMENSION(mm)			
L1	L2	W	H
30	11.2	8.4	9.0