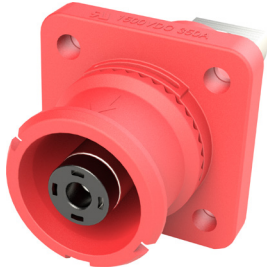


Connector Housing Plug and Socket

multicomp PRO

**RoHS
Compliant**



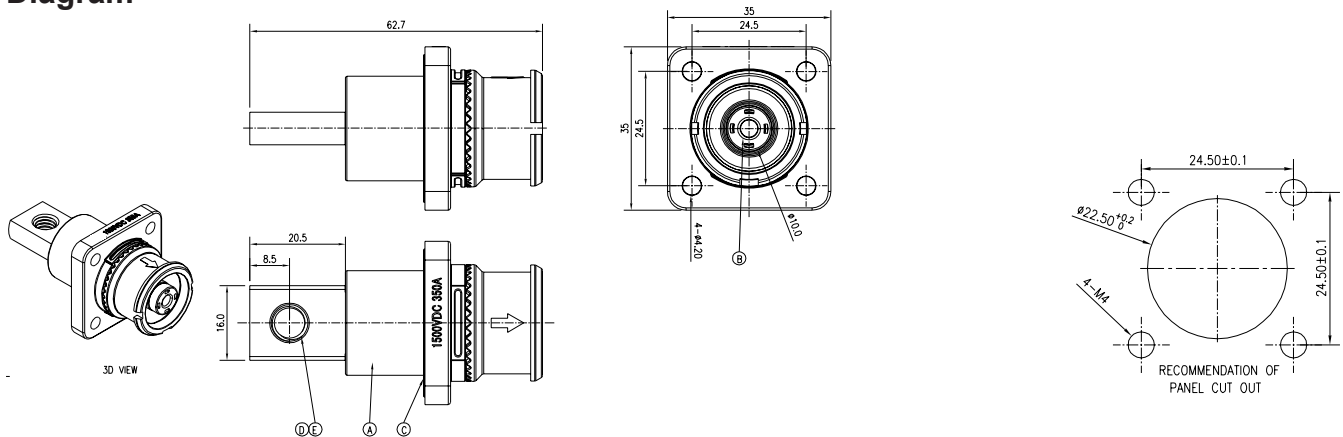
Specification

Waterproof degree of Protection : IP67 (Optional)
IP67 Immersed in 1M water for 30 Minutes

Electrical Characteristics

Rated Current : 350A
Rated Voltage : 1500V DC
Operating Temperature : -40°C to +125°C
Torque Limit : M5 Nut On Busbar, 5 ±0.5N.m.

Diagram



No.	Description	Qty.	Material	Plating & Color
A	Shell	1	PA66+GF	Red
B	Cover	1	PA66	Black
C	Gasket	1	Silicone	White
D	Pin	1	Brass	Silver Plating
E	Nut	1	Carbon Steel	

Part Number Table

Description	Part Number
Connector Housing For Socket, Right Angle, Red, 10mm, 350A	MP013678

Dimensions : Millimetres

Important Notice : This data sheet and its contents (the "Information") belong to the members of the AVNET group of companies (the "Group") or are licensed to it. No licence is granted for the use of it other than for information purposes in connection with the products to which it relates. No licence of any intellectual property rights is granted. The Information is subject to change without notice and replaces all data sheets previously supplied. The Information supplied is believed to be accurate but the Group assumes no responsibility for its accuracy or completeness, any error in or omission from it or for any use made of it. Users of this data sheet should check for themselves the Information and the suitability of the products for their purpose and not make any assumptions based on information included or omitted. Liability for loss or damage resulting from any reliance on the Information or use of it (including liability resulting from negligence or where the Group was aware of the possibility of such loss or damage arising) is excluded. This will not operate to limit or restrict the Group's liability for death or personal injury resulting from its negligence. Multicomp Pro is the registered trademark of Premier Farnell Limited 2019.

Newark.com/multicomp-pro
Farnell.com/multicomp-pro
sg.element14.com/b/multicomp-pro

multicomp PRO