

The Re-reel Kit enables operators to attach a depleted reel of components to the beginning of a new reel and avoid production downtime

Kit contents

1. Splice Tool



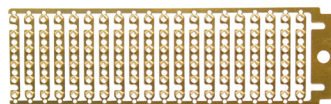
Features

- Stapler design hand tool
- Can be used with all types of SMT material
- Durable / hard wearing steel construction
- Uses bandolier type shims for increased productivity
- Easy to install at docking station (Optional)
- Ergonomically designed handle for comfort

Part Number Table

Description	Quantity	Part Number
Splice Tool	1	MC001669

2. Bandolier Brass Shims



Description

Bandolier type brass shims provides increased productivity for use with the semi-automatic splice tool.

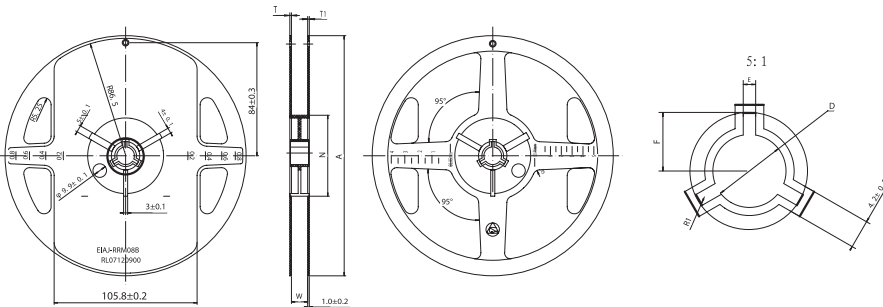
Part Number Table

Description	Quantity	Part Number
Bandolier Brass Shim	500	MC001670

3. Plastic Reel



Dimensions



Item	W	A	N	T	T1	E	F	D
Size	8.5	178	60	1	1.5	2	11.5	13.5
Tolerance	±0.3	+2 / -0	±0.4	±0.2	±0.2	±0.5	±0.8	±0.3

Dimensions : Millimetres

Part Number Table

Description	Quantity	Part Number
8mm, Plastic Reel	30	MC001671

4. Plastic Leader Tape



Features

- Flat punched carrier tape with holes
- Use as a leader tape
- For use with all major SMT pick and place feeders

Part Number Table

Description	Quantity	Part Number
8mm, Plastic Leader Tape	100	MC001672

5. Paper Leader Tape



Features

- Flat punched carrier tape with holes
- Use as a leader tape
- For use with all major SMT pick and place feeders

Part Number Table

Description	Quantity	Part Number
8mm, Paper Leader Tape	100	MC001673

6. Tape Extenders



Description

SMD cover tape extenders providing an additional 500mm of tape as a leader and reducing wastage, suitable for use with all major SMT pick and place feeders.

Part Number Table

Description	Quantity	Part Number
8mm, Tape Extenders	500	MC001674

Part Number Table

Description	Part Number
Re-Reel Kit	MC001668

Important Notice : This data sheet and its contents (the "Information") belong to the members of the AVNET group of companies (the "Group") or are licensed to it. No licence is granted for the use of it other than for information purposes in connection with the products to which it relates. No licence of any intellectual property rights is granted. The Information is subject to change without notice and replaces all data sheets previously supplied. The Information supplied is believed to be accurate but the Group assumes no responsibility for its accuracy or completeness, any error in or omission from it or for any use made of it. Users of this data sheet should check for themselves the Information and the suitability of the products for their purpose and not make any assumptions based on information included or omitted. Liability for loss or damage resulting from any reliance on the Information or use of it (including liability resulting from negligence or where the Group was aware of the possibility of such loss or damage arising) is excluded. This will not operate to limit or restrict the Group's liability for death or personal injury resulting from its negligence. Multicomp Pro is the registered trademark of Premier Farnell Limited 2019.