

Datasheet

ENGLISH

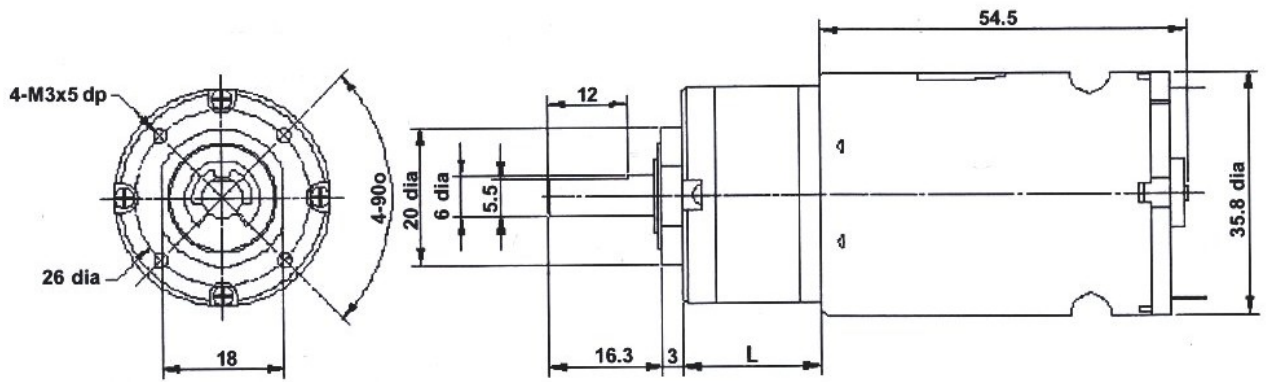
RS PRO, 12 V dc, 3024 gcm, Brushed DC Geared Motor, Output Speed 537 rpm

Stock No: 834-7672



Specifications:

Output Speed	537 rpm
Supply Voltage	12 V dc
Maximum Output Torque	3024 g.cm
DC Motor Type	Brushed
Shaft Diameter	6mm
Power Rating	19.8 W
Gearhead Type	Planetary
Length	82.9mm
Width	35.8mm
Current Rating	2.81 A
Weight	281g



Operating relative humidity 20% ~ 85%
 Operating temperature range -10°C ~ +60°C

Ratio	L
27:1	28.4mm

Gearbox Housing material	Metal
Backlash at no-load	< 2.5°
Bearing at output	Sleeve bearings
Radial load (10mm from flange)	< 3 kgf
Shaft axial load	< 2.5 kgf
Shaft press fit force max	< 10 kgf
Radial play of shaft	< 0.05mm
Thrust play of shaft	< 0.3mm

Reduction Ratio	Rated tolerance Torque	Max momentary Tolerance Torque	Efficiency
1/27	6 kgf-cm Max.	18 kgf-cm	70%

Reduction Table RPM	4.5v	6v	9v	12v	15v
SUPPLY VOLTAGE					
834-7672	201	269	403	537	671

Note: Motor speeds may vary by (+) or (-) 12.5%