

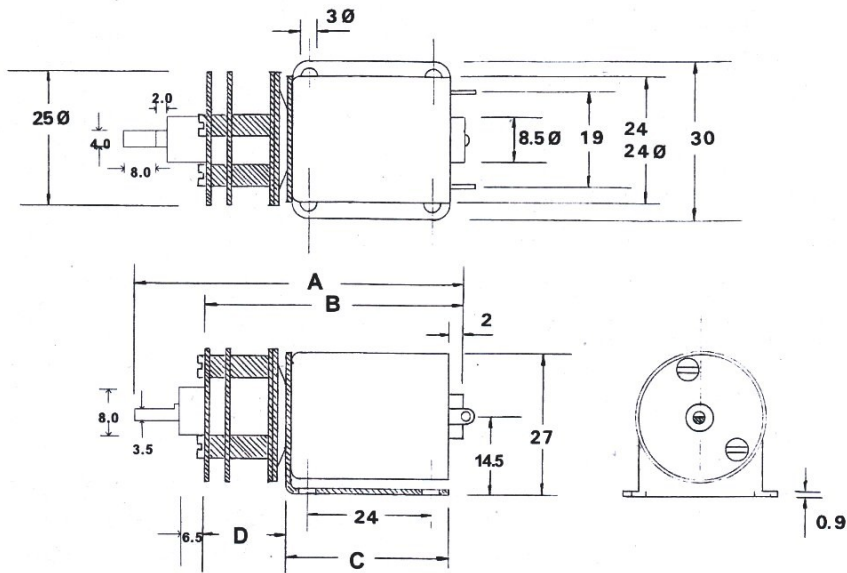
Datasheet

RS PRO, 12 V dc, 274 gcm, Brushed DC Geared Motor, Output Speed 548 rpm

Stock No: 413-0616

**Specifications:**

| | |
|-----------------------|----------|
| Output Speed | 548 rpm |
| Supply Voltage | 12 V dc |
| Maximum Output Torque | 274 g.cm |
| DC Motor Type | Brushed |
| Shaft Diameter | 4mm |
| Power Rating | 1.31 W |
| Gearhead Type | Spur |
| Length | 51mm |
| Width | 27mm |
| Current Rating | 190 mA |
| Weight | 74g |



Operating relative humidity 20% ~ 85%
 Operating temperature range -10°C ~ +60°C

| Ratio | A | B | C | D |
|-------|--------|--------|--------|--------|
| 15:1 | 67.5mm | 51.3mm | 33.5mm | 17.8mm |

| | |
|--------------------------------|-----------------|
| Gearbox Housing material | Metal |
| Backlash at no-load | < 2° |
| Bearing at output | Sleeve bearings |
| Radial load (10mm from flange) | < 0.3 kgf |
| Shaft axial load | < 0.2 kgf |
| Shaft press fit force max | < 2 kgf |
| Radial play of shaft | < 0.05mm |
| Thrust play of shaft | < 0.3mm |

| Reduction Ratio | Rated tolerance Torque | Max momentary Tolerance Torque | Efficiency |
|-----------------|------------------------|--------------------------------|------------|
| 1/15 | 0.4 kgf-cm Max. | 1.2 kgf-cm | 73% |

| Reduction Table RPM SUPPLY VOLTAGE | 6v | 12v | 18v | 24v |
|---------------------------------------|-----|-----|-----|------|
| 413-0616 | 274 | 548 | 822 | 1097 |

Note: Motor speeds may vary by (+) or (-) 12.5%