



ENGLISH

## Datasheet

# Brass Check Valve 1-1/2 in BSPP

RS Stock number **486-221**



### Features and Specifications:

- \* Suitable for domestic, industrial, pneumatic and hydraulic installations,
- \* **Hot forged** brass body,
- \* Strong configuration,
- \* Soft seal,
- \* Compact inspection cap,
- \* **ISO 228** Female parallel thread,
- \* See chart for non-shock cold working **pressure**,
- \* **+5°C +110°C temperature**.



### **Quality:**

---

- Suitable for domestic, industrial, pneumatic and hydraulic installations
- Strong configuration

### **Body:**

---

- Hot forged brass body

### **Seals:**

---

- Soft seal
- Compact inspection cap

### **PED Directives:**

---

- The product described in this document meets the requirements of PED Directive 97/23 and according to art.3 par.3, it does not require CE marking; it cannot be used with dangerous gases in sizes larger than 25mm

### **Threads:**

---

- ISO 228 Female parallel thread

### **Working Pressure:**

---

- 16 Bar up to 3/4", 12 Bar 1", 10 Bar from 1.1/4" up to 2", 8 Bar over 2"
- non-shock cold working pressure

### **Working Temperature:**

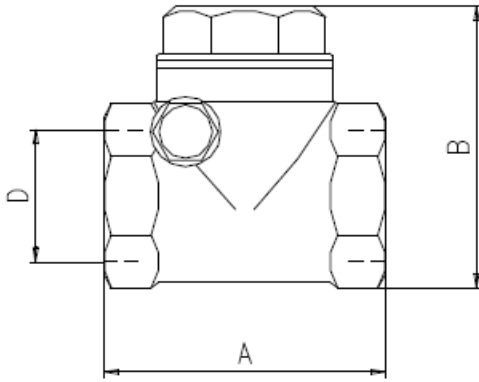
---

- +0°C / +90°C
- Warning: freezing of the fluid in the installation may severely damage the valve

### **Options:**

---

- metal seal



Code	126D00	126E00	126F00	126G00	126H00	126I00	126L00	126M00	126N00
D (inch)	1/2	3/4	1	1 1/4	1 1/2	2	2 1/2	3	4
A (mm)	44	53	63	72	82	95	119	133	168
B (mm)	50	58	67	77	88	101	130	150	185
PN(Kg/cm <sup>2</sup> )	12	12	12	10	10	10	8	8	8

PART DESCRIPTION	Material	Q.ty
Body	CW617N	1
Exagonal cap	CW617N	1
Exagonal cap washer	Fibre	1
Inspection small cap	CW614N	1
Inspection small cap washer	Fibre	1
Seal	NBR 65SH	1
Seat	CW614N	1