

FEATURES

- Quick connection and disconnection
- Lighter and more compact
- Specific configurations to satisfy the advanced robotics
- Silicon free
- Operating temperature range is from -20 °C to 80 °C

RS PRO ORIENTING ELBOW MALE ADAPTOR (PARALLEL)

RS Stock No.: 2312676



RS PROfessionally Approved Products bring to you professional quality parts across all product categories. Our product range has been tested by engineers and provides a comparable quality to the leading brands without paying a premium price.

Product Description

The RS PRO orienting elbow male adaptor (parallel) works in -99 to 20 bar pressure range. It mainly used in robotics, automotive, textile, packaging, handling, compressed air circuit applications. It is lighter and more compact which offers to demanding customers high performances. Operating temperature range is from - 20 °C to + 80 °C. RoHS and REACH compliant.

General Specifications

Material	Nickel Plated Brass
Applications	Lubrication System, Cooling System, Pneumatic Machinery Equipment

Mechanical Specifications

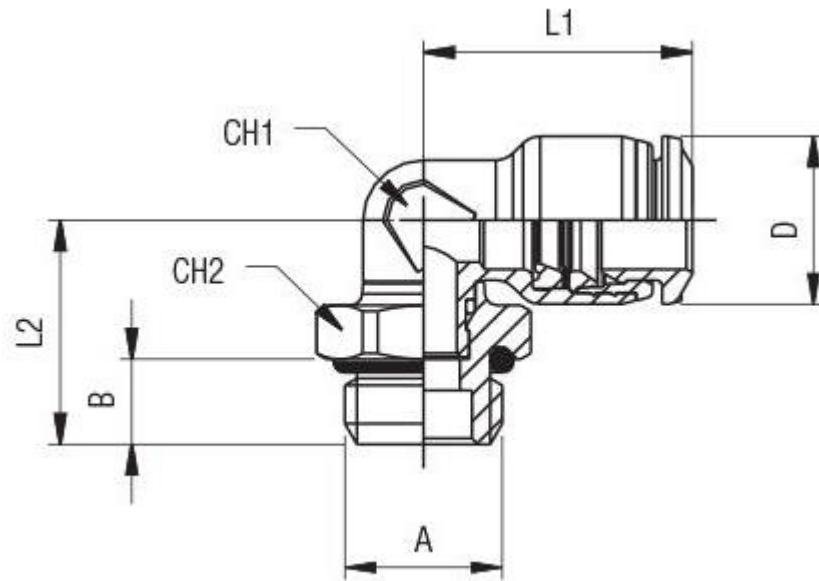
Connection Type	Threaded, Tube
Hose Barb Connection	14mm
Coupling Gender	Male
Threaded Connection	M12 x 1
Thread Size	M12mm
Tube Connection Size	8mm
Wrench Size1	10Hex
Wrench Size2	16Hex
Length L1	22.5mm
Length L2	19mm

Operation Environment Specifications

Minimum Operating Temperature	-20°C
Maximum Operating Temperature	80°C

Similar Products

Parameters	2312521	2312522
Brand	RS PRO	RS PRO
Connection Type	Threaded, Tube	Threaded, Tube
Tube Connection Size	9	10
Coupling Gender	Male	Male
Threaded Connection	3/8 in Male	1/2 in Male
Thread Size	3/8in	1/2in
Hose Barb Connection	30.5mm	25Hex
Wrench Size	20Hex	54mm



Tube	A	B	L1	L2	CH1	CH2	D	Pack.
8	M12X1	7.5	22.5	19	10	16	14	10