

Model	Part No	OMNIMOUNT	Dimn."N"	"M"	Dimensions :- Metric(Inch)
NP24HS	NP24HS -129319	YES	6.0 (0.2362)	319	
NP24HS	RS PRO 842-7166	No	5.0 (0.1968)	318	
NP24HS	NP24HS- 129317	YES	5.0 (0.1968)	317	
NP24HS	NP24HS- 129781	No	5.5 (0.2165)	781	

- Features:-**
1. Conductive plastic long life resistance element.
 2. High quality engineering plastic sturdy low profile body.
 3. Precious metal high technology wiper gives noise free output.
 4. Easy mounting directly on shaft no coupling required.
 5. Special smaller electrical angles..... available option.

ELECTRICAL CHARACTERISTICS :-	UNITS	VALUE
Resistance Element.....	--	Conductive Plastic
Resistance Range.....	Ohms	1k, 2k,5k,10k(other value up to 100k)
Resistance Tolerance (Standard).....	±%	20
Best Possible Resi.Tolerance.....	±%	10
Standard Independent Linearity Tolerance...(IEC 393)..	±%	2.0
Best possible Independent Linearity Tolerance...(IEC 393)..	±%	0.5
Electrical angle.....(Smaller angles optional)	Degrees	340° ±5°
Resolution.....	--	Essentially infinite
Temperature Coefficient of Resistance(TCR).....	ppm/deg C	±400
Power Rating @ 70°C.....	Watts	0.5
Insulation Resistance @ 500 Vdc.....	M Ohms	500
Dielectric Strength @ 50 Hz.....	V ac	500
Maximum Wiper current.....	mAmps	1
short time wiper current 10 sec.	mAmps	10
End voltage as a % of applied voltage	%	Less than 0.5

MECHANICAL CHARACTERISTICS :-		
Rotation (Mechanical Angle) continuous	Degrees	360°
Bearing Type.....	-----	Sleeve
Torque... Operating.....	Nmm Oz inch	7 (0.991)
Torque... Running.....	Nmm Oz inch	5 (0.708)

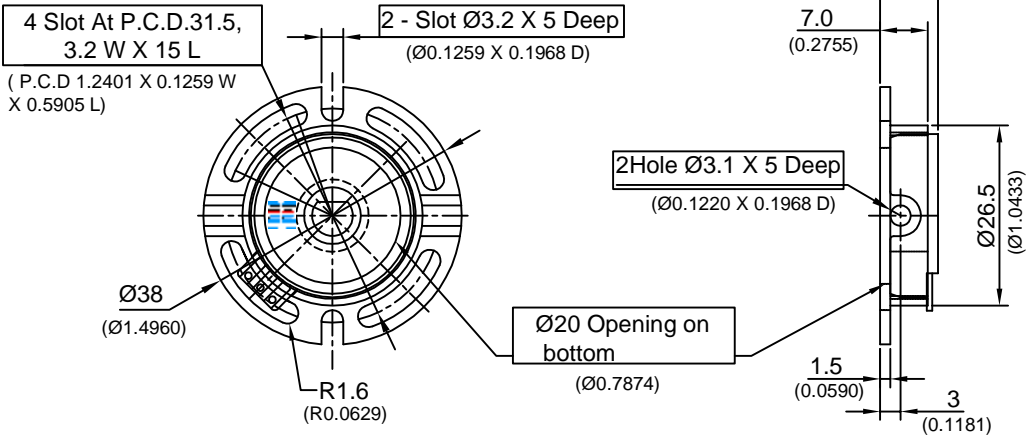
ENVIRONMENTAL CHARACTERISTICS :-		
Operating Temperature.....	Degrees C	-40 to +105
ROHS compliance	--	Yes

PERFORMANCE :-		
Rotational Life (shaft Revolutions)....	Nos.	5,000,000

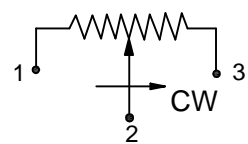
MATERIALS OF CONSTRUCTION:-		
Housing.....	--	Engineering Plastic
Shaft (Hollow).....	--	Engineering Plastic
Bushing.....	--	Brass on one end
Mounting Omnimount Universal Available	--	Engineering Plastic

Universal Mounting - Omnimount " optional "

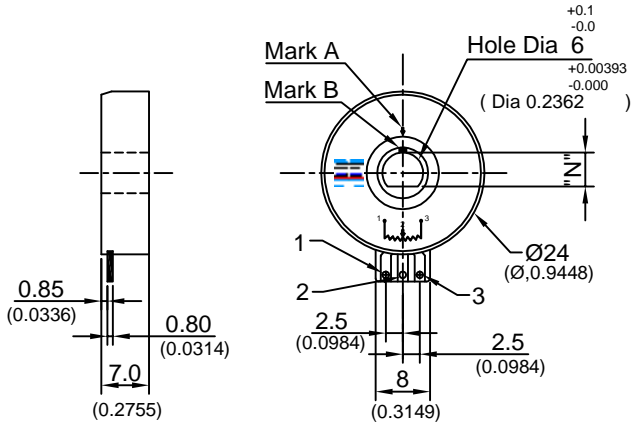
Soldering Recommendation :- Use soldering Iron at 350° C for 3 second maximum. Clean the soldered pads with inherent alcohol to avoid noise in out put. Continuous improvements are being made in product design & process for enhancing performance for customer benefit the product supplied may be slightly different than described by above specifications



"OMNIMOUNT BRACKET"



Note: The wiper tip is on the center of track when Mark A is aligned with Mark B



CONDUCTIVE PLASTIC HOLLOW SHAFT POTENTIOMETER

NP24HS-"M"
(WITH OMNIMOUNT OPTION)

SCALE:- 1:1

TOLERANCES
DIN-ISO 2768-1 (1991-06)
(TOLERANCE CLASS-MEDIUM)

CUSTOMER DRAWING REF NO NA	REV - 00
-------------------------------	----------