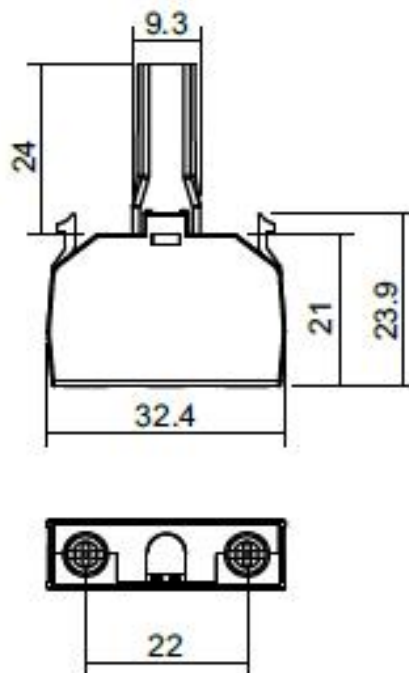


## Datasheet

### LED Light Block



LED Light blocks for use with the RS pro modular plastic push button series (Pilot Lights and Illuminated Push Buttons). Simple installation via clip, various voltage ratings available.

#### Specifications:

- 22mm Diameter
- IP65 rated
- Side view SMD LED technology
- 0.1 million burning hours

## Stock Numbers:

Stock Number	Colour	Voltage	Description
188-1172	RED	12V ac/dc	LED Light Block Red 12Vac/dc
188-1173	BLUE	12V ac/dc	LED Light Block Blue 12Vac/dc
188-1174	WHITE	12V ac/dc	LED Light Block White 12Vac/dc
188-1176	YELLOW	12V ac/dc	LED Light Block Yellow 12Vac/dc
188-1177	GREEN	12V ac/dc	LED Light Block Green 12Vac/dc
188-1178	AMBER	12V ac/dc	LED Light Block Amber 12Vac/dc
188-1179	RED	24V ac/dc	LED Light Block Red 24Vac/dc
188-1180	BLUE	24V ac/dc	LED Light Block Blue 24Vac/dc
188-1182	WHITE	24V ac/dc	LED Light Block White 24Vac/dc
188-1183	YELLOW	24V ac/dc	LED Light Block Yellow 24Vac/dc
188-1184	GREEN	24V ac/dc	LED Light Block Green 24Vac/dc
188-1185	AMBER	24V ac/dc	LED Light Block Amber 24Vac/dc
188-1186	RED	110Vac	LED Light Block Red 110Vac
188-1187	BLUE	110Vac	LED Light Block Blue 110Vac
188-1188	WHITE	110Vac	LED Light Block White 110Vac
188-1189	YELLOW	110Vac	LED Light Block Yellow 110Vac
188-1190	GREEN	110Vac	LED Light Block Green 110Vac
188-1191	AMBER	110Vac	LED Light Block Amber 110Vac
188-1192	RED	240Vac	LED Light Block Red 240Vac
188-1193	BLUE	240Vac	LED Light Block Blue 240Vac
188-1194	WHITE	240Vac	LED Light Block White 240Vac
188-1195	YELLOW	240Vac	LED Light Block Yellow 240Vac
188-1196	GREEN	240Vac	LED Light Block Green 240Vac
188-1198	AMBER	240Vac	LED Light Block Amber 240Vac

Attribute	All Stock Numbers
Operating Voltage	-20% to +10% of rated voltage
Type of LED	Side view SMD LED's
Available Colours	Red, Blue, White, Yellow, Green, Amber
Life	0.1 million burning hours
Operating Frequency	50 / 60 Hz
Operating Temperature	-25°C to 65
Storage Temperature	-30°C to 70
Wire Termination Capacity	0.5mm <sup>2</sup> , 1.5 – 2.5 mm <sup>2</sup>
Terminal Torque	0.8Nm
LVGP	Available
Surge Test	2KV
HV test for 60 sec	1.5KV
Degree of Protection	IP20