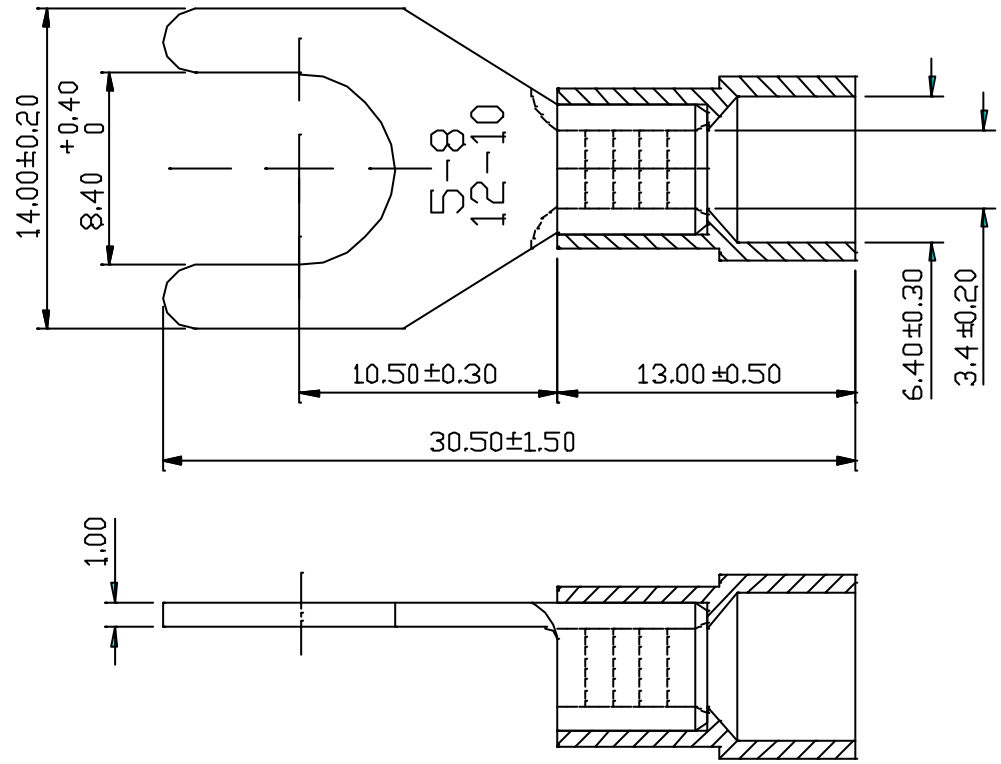


REV	DESCRIPTION	DATE
-----	-------------	------



- NOTE:
1. MAXIMUM ELECTRIC CURRENT:  

A.W.G.	12	10
AMP.	35	50
  2. MAXIMUM ELECTRICAL RATING:  
75°C 600 VOLTS MAX.
  3. INSULATION MATERIAL: VINYL
  4. INSULATION COLOR: YELLOW
  5. TERMINAL MATERIAL: COPPER
  6. WIRE RANGE: 12-10A.W.G. (4-6mm<sup>2</sup>)

Tolerance Unless Otherwise Specified	
0 >	mm ± ANGLE
>	mm ± 0° REF ±
>	mm ± ° ±
>	mm ± ° ±

NAME	NYLON-INSULATED SPADE TERMINALS			UNIT	mm		
PART NO.	SVY5-8e	MATERIAL		APPROVE			
NUMBER	TZV-709	SCALE	SHEET	PAGE	CHECKED		
DATE	09/07/2005	3 : 1	1-0	1 OF 1	DRAWN		