



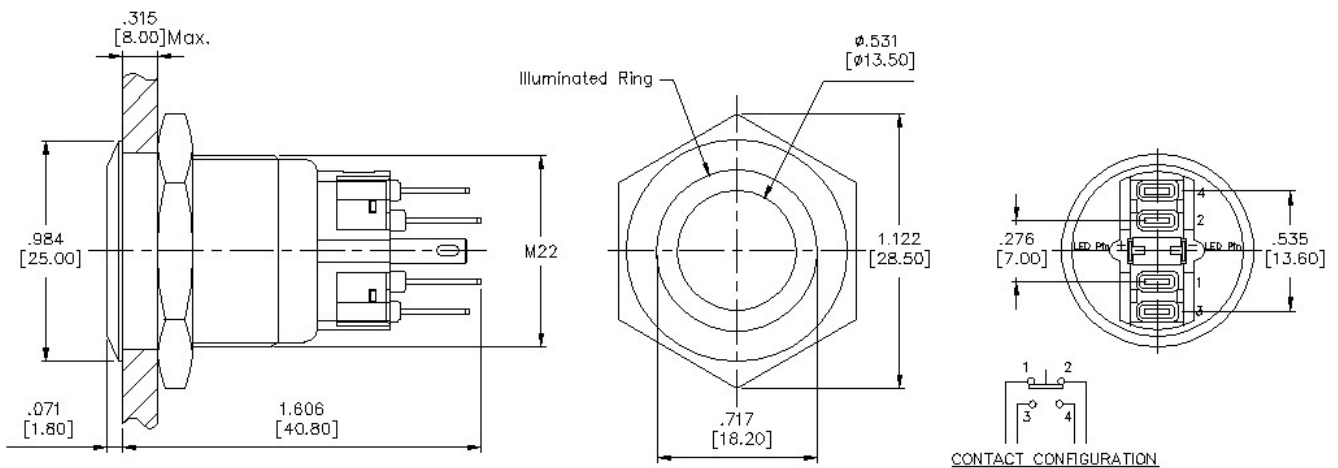
ENGLISH

## Product Datasheet

# Anti-Vandal Switch

## Switch Pushbutton Stainless Latching

RS Stock No:811-8483



RS, Professionally Approved Products, gives you professional quality parts across all products categories. Our range has been testified by engineers as giving comparable quality to that of the leading brands without paying a premium price.



**ENGLISH**

**Package Contain:**

- 1 x Anti-Vandal Switch
- 1 x Hex Nuts
- 1 x O-Ring

**Specification:**

<b>SWITCH TYPE:</b>		<b>8118483</b>						
<b>POLES/THROWS:</b>		<b>SPDT</b>						
<b>SWITCH FUNCTIONS:</b>		<b>Illuminated, ON-ON</b>						
<b>ELECTRICAL CHARACTERISTICS</b>	<b>CONTACT RATING:</b>	Rated insulation voltage (Ui)		250V				
		Thermal current (Ith)		5A Max.				
		Rated voltage		12V	24V	110V	220V	
		Rated current	AC	Resistive load	---	---	5A	3A
			50/60Hz	Inductive load	---	---	3A	2A
		DC	Resistive load	5A	5A	1A	0.5A	
			Inductive load	2A	2A	0.2A	0.1A	
<b>ELECTRICAL LIFE:</b>	<b>50,000 make-and-break cycles at full load</b>							
<b>CONTACT RESISTANCE:</b>	<b>50m-ohms max. initial @ 2-4VDC, 100mA</b>							
<b>INSULATION RESISTANCE:</b>	<b>Apply 500VDC for 1min±5sec. After which measurement to be made b/w terminals shall result 1000M-ohms min.</b>							
<b>DIELECTRICAL STRENGTH:</b>	<b>2,000VAC (50Hz-60Hz) RMS @ sea level shall result no damage to parts arcing or flashover</b>							
<b>OPERATING TEMPERATURE:</b>	<b>-20Celsius degree to +55Celsius degree</b>							
<b>RELAIBILITY PERFORMANCE</b>	<b>MECHANICAL LIFE:</b>	<b>Without load, 50,000cycles min.</b>						
	<b>OPERATING FORCE:</b>	<b>4N max.</b>						
	<b>TORQUE:</b>	<b>5~14Nm max. applied to nut</b>						
	<b>IP PROTECTION CLASS:</b>	<b>Front panel protection to IP65</b>						
	<b>SOLDERING HEAT RESISTANCE:</b>	<b>Max soldering temperature @ 260Celsius degree, immersion time 5+/-1sec, frequency of soldering process @ 2 times max.</b>						
	<b>COLD TEST:</b>	<b>Stored at temperature -20(+/-3)Celsius degree for 48 hours, shall result no changes to switch's electrical performance</b>						



**ENGLISH**

	<b>HOT TEST:</b>	Stored at temperature +55(+/-3)Celsius degree for 48 hours, shall result no changes to switch's electrical performance
	<b>HUMIDITY TEST:</b>	Stored at temperature 40(+/-3)Celsius degree with relative humidity 90%~95% for 48 hours, shall result no changes to switch's electrical performance
<b>MATERIAL CHARACTERISTICS</b>	<b>BUTTON:</b>	B12 : Stain less steel with varnished polished
	<b>BUSHING:</b>	
	<b>BASE:</b>	PBT
	<b>PLUNGER:</b>	POM
	<b>SPRING:</b>	Steel wire
	<b>CONTACT:</b>	Copper alloy, silver plated
	<b>TERMINALS:</b>	Brass, silver plated
	<b>HARDWARE:</b>	Nut (Brass, nickel plated)
	<b>LED:</b>	Blue, (AC/DC Compatible) Voltage & Rating: 12V @ 15mA
<b>SOLDERING &amp; CLEANING RECOMMENDATION</b>	<b>HAND SOLDERING:</b>	Max. temperature @ 320Celsius degree (662F)with continuous soldering time @ 2sec. max.
	<b>CLEANING PROCESS:</b>	Noted, the switch is "not totally sealed" so it is important not to immerse/spray or clean unsealed areas of the switch during flux removal. Improper cleaning could cause switch deficiencies such as intermittence or open contact failures
<b>PACKAGE</b>	<b>INTERNAL PACKAGING:</b>	1pcs per PE bag
	<b>RoHS IDENTIFI-CATIONS:</b>	A label marking "RoHS compliant" will be attached to the carton box.