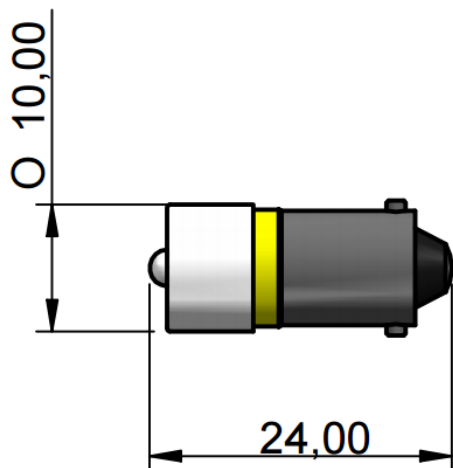


Datasheet

LED Indicator Lamp

RS ITEM NO 210-204



LED/Multiled	<i>LED</i>	Optimum voltage (V)	<i>60Vac/dc</i>	Intensity	<i>225mcd</i>
Mounting Size	<i>10x25mm</i>	Rectifier	<i>Half Wave</i>		
Mounting Finish		AC current	<i>3-6mA (max)</i>		
Protection	-	DC current	<i>3-7mA (max)</i>		
Mount Holder	<i>Ba9</i>	Voltage Tolerance (%)	<i>10%</i>		
Chip Qty	<i>1</i>	Optimum temperature (°C)	<i>-30°C...+60°C</i>		
Indicator colour	<i>Yellow</i>	Storage temperature (°C)	<i>-30°C...+60°C</i>		
Wavelength (nm)	<i>587</i>	Contact Tab	<i>Ba9 Cap</i>		



*Dimension in mm (typical), not to scale.
We reserve the right to make changes without further notice to this product to improve reliability, function or design.*