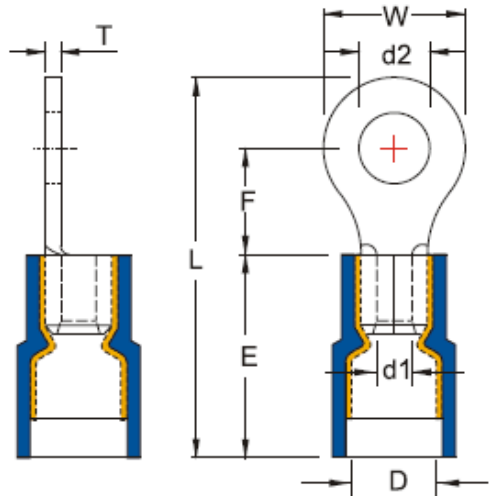
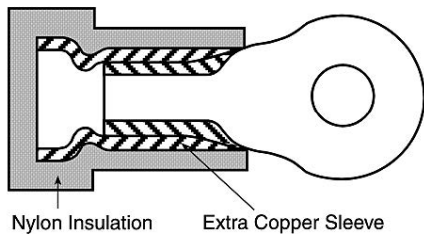




Datasheet

ENGLISH

RS PRO Blue Insulated Crimp Ring Terminal, 1.5mm² to 2.5mm², 16 AWG to 14 AWG, 5.3mm Stud Size
 RS Stock number [267-3745](#)



Technical Specification

Maximum Electrical Current: 16 AWG: 18A, 14AWG: 30A
Maximum Electrical Rating: 105°C 600V maximum **Insulation**
Material: Nylon
Insulation Colour: Blue
Terminal Material: Copper
Double Crimp: With copper sleeve on barrel

Dimensions

Wire Size (mm ² /AWG)	Stud Size		Dimensions (inch/mm)						
	d2		W	F	L	E	D	d1	T
	Size	(inch/mm)							
1.5-2.5 mm ² /16-14 AWG	#10	.209/5.3	.374/9.5	.287/7.3	.898/22.8	.433/11.0	.205/5.2	.091/2.3	.031/0.8