

Datasheet

RS PRO PC-INSULATED PIN TERMINALS

Stock number: 178-8421

MAXIMUM ELECTRIC CURRENT:

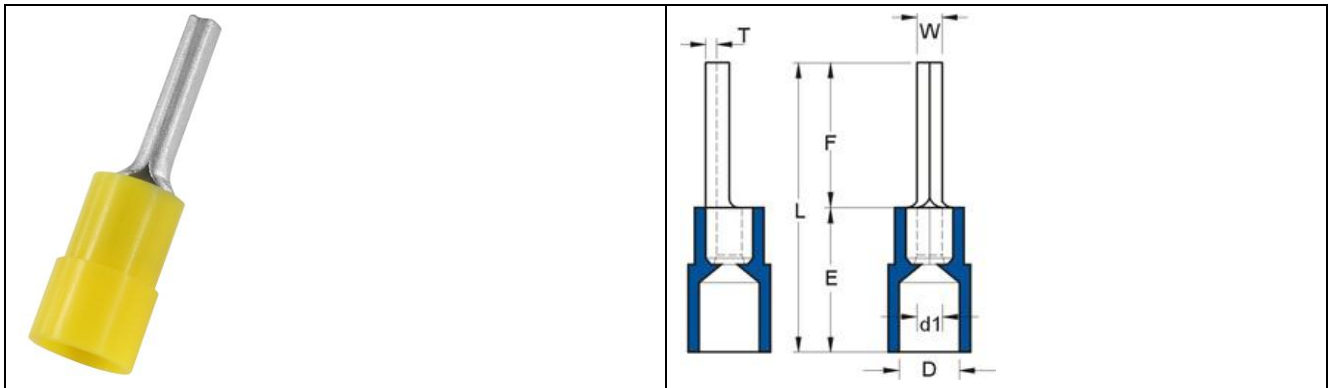
A.W.G.	12	10
AMP.	35	50

MAXIMUM ELECTRICAL RATING: 125° C 600 VOLTS MAX.

INSULATION MATERIAL: PC

TERMINAL MATERIAL: COPPER

INSULATION COLOR: YELLOW



WIRE RANGE A.W.G. mm ²	ITEM NO.	DIMENSION inch(mm)							
		BRAZED SEAM	W	F	L	E	D	d1	T
12-10 A.W.G.									
4-6 mm ²	<input checked="" type="checkbox"/> 178-8421	0.11 2.8	0.551 14	1.063 270	0.512 13	0.252 6.400	0.134 3.4	0.039 1	